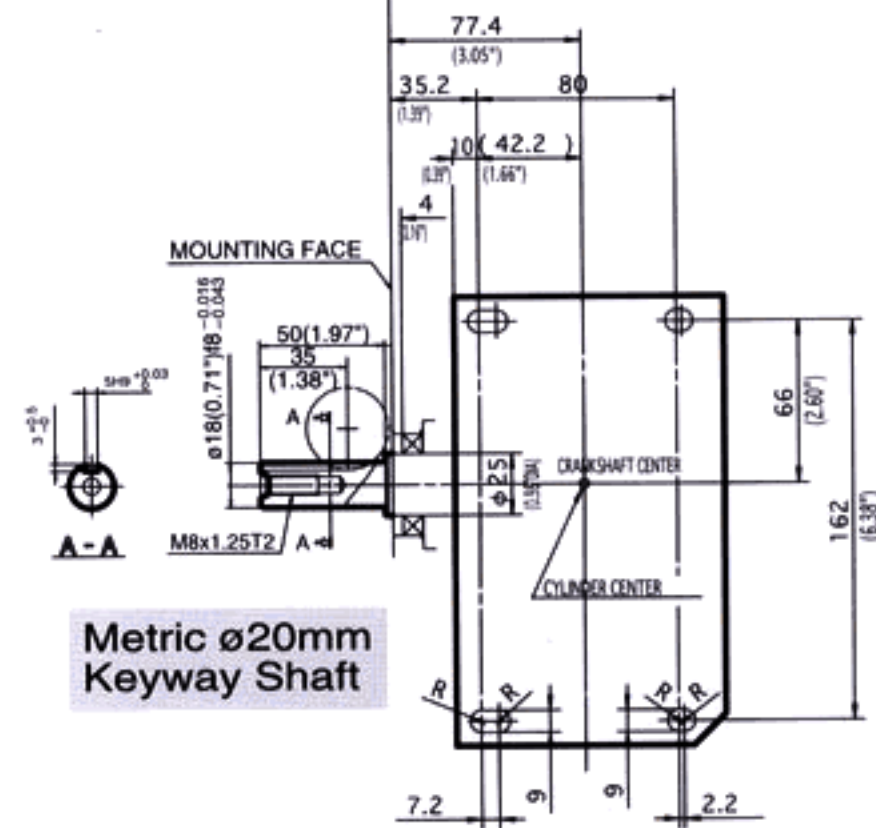
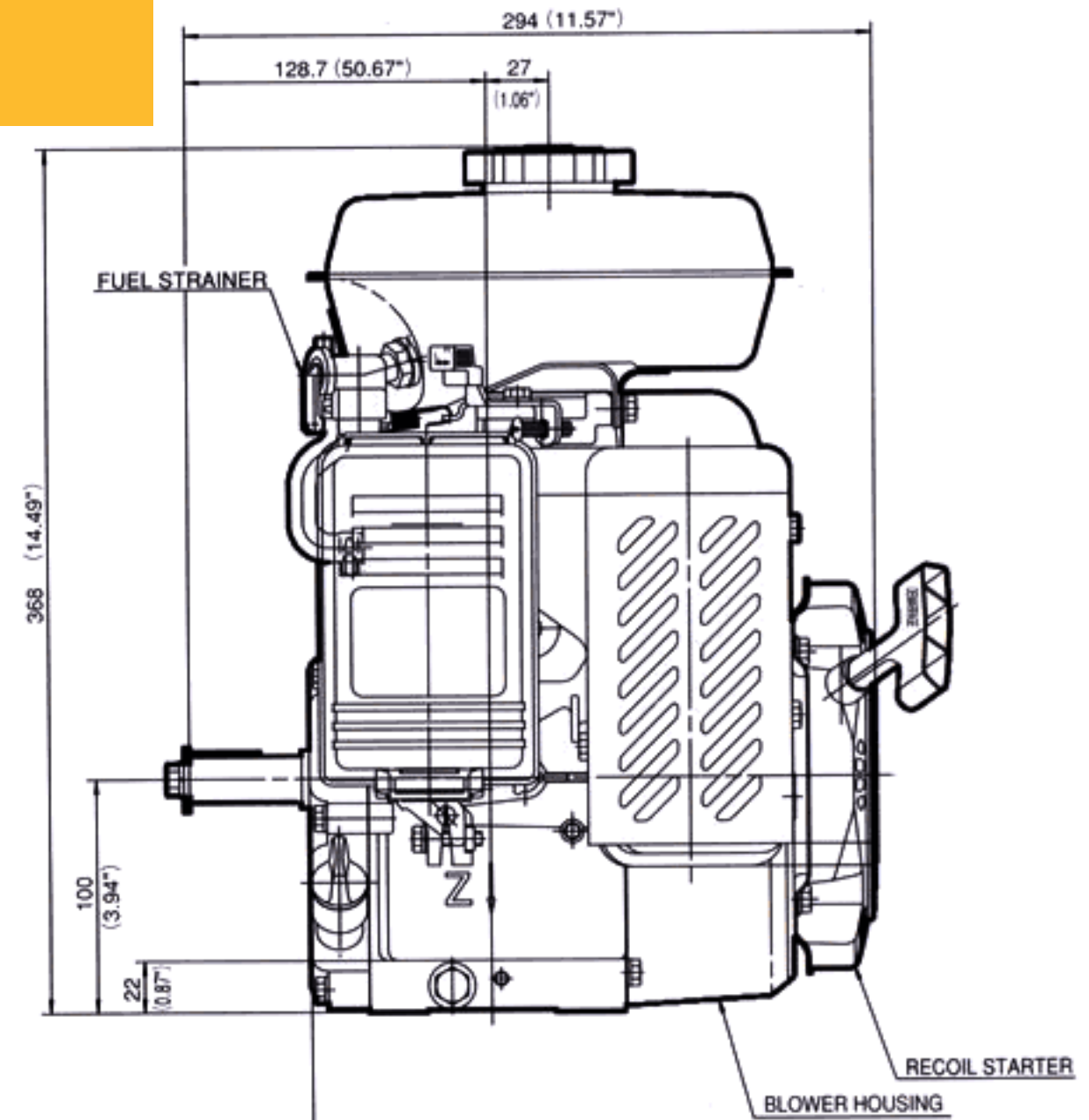
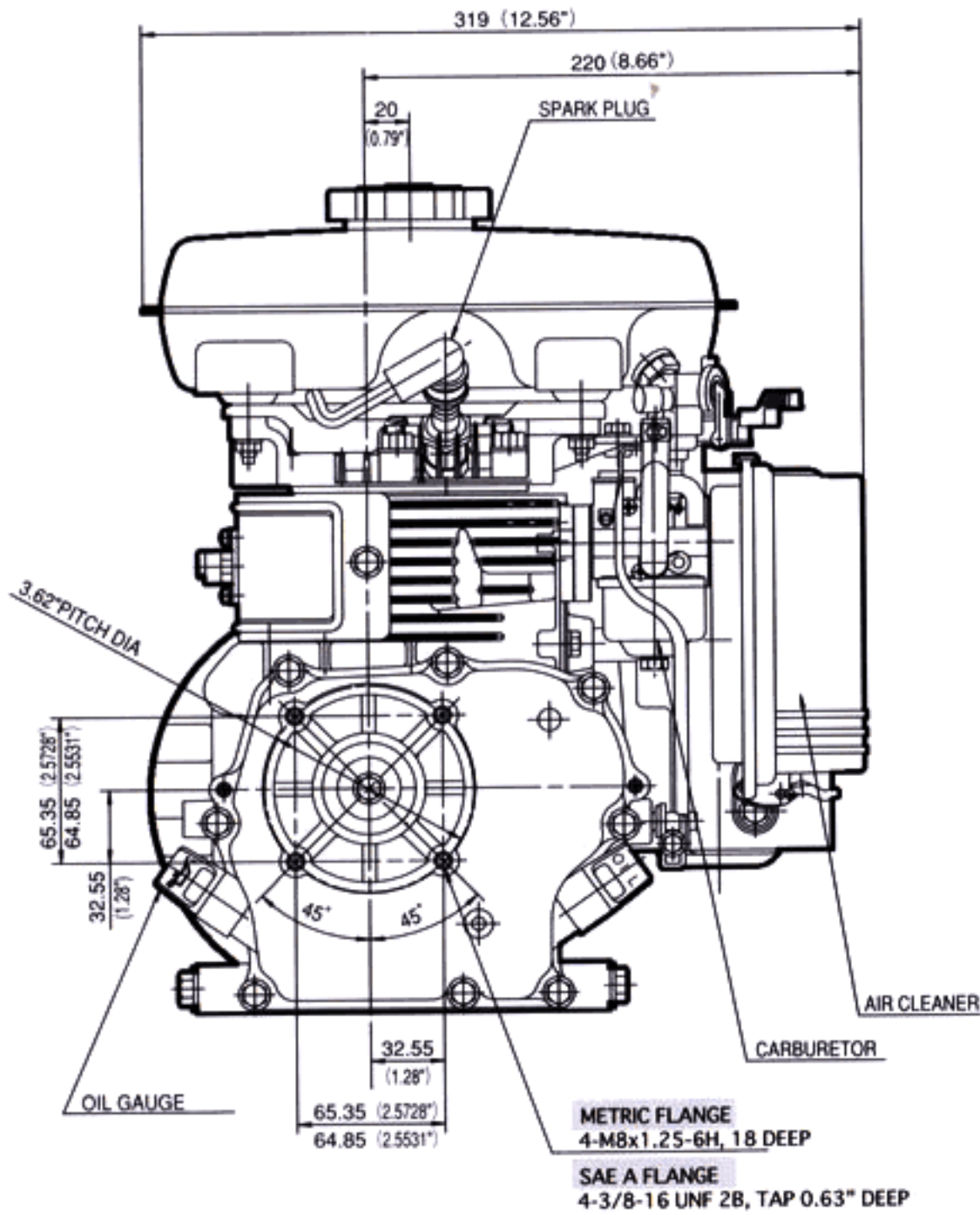


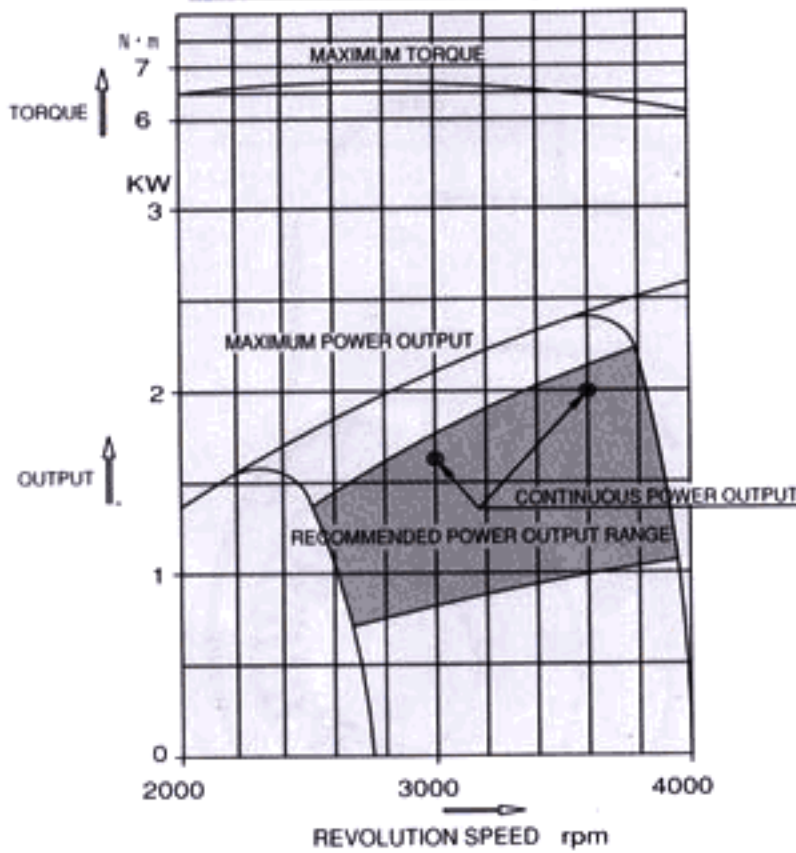
Присоединительные размеры: Двигатель EY15-3D

www.robinsub.nt-rt.ru

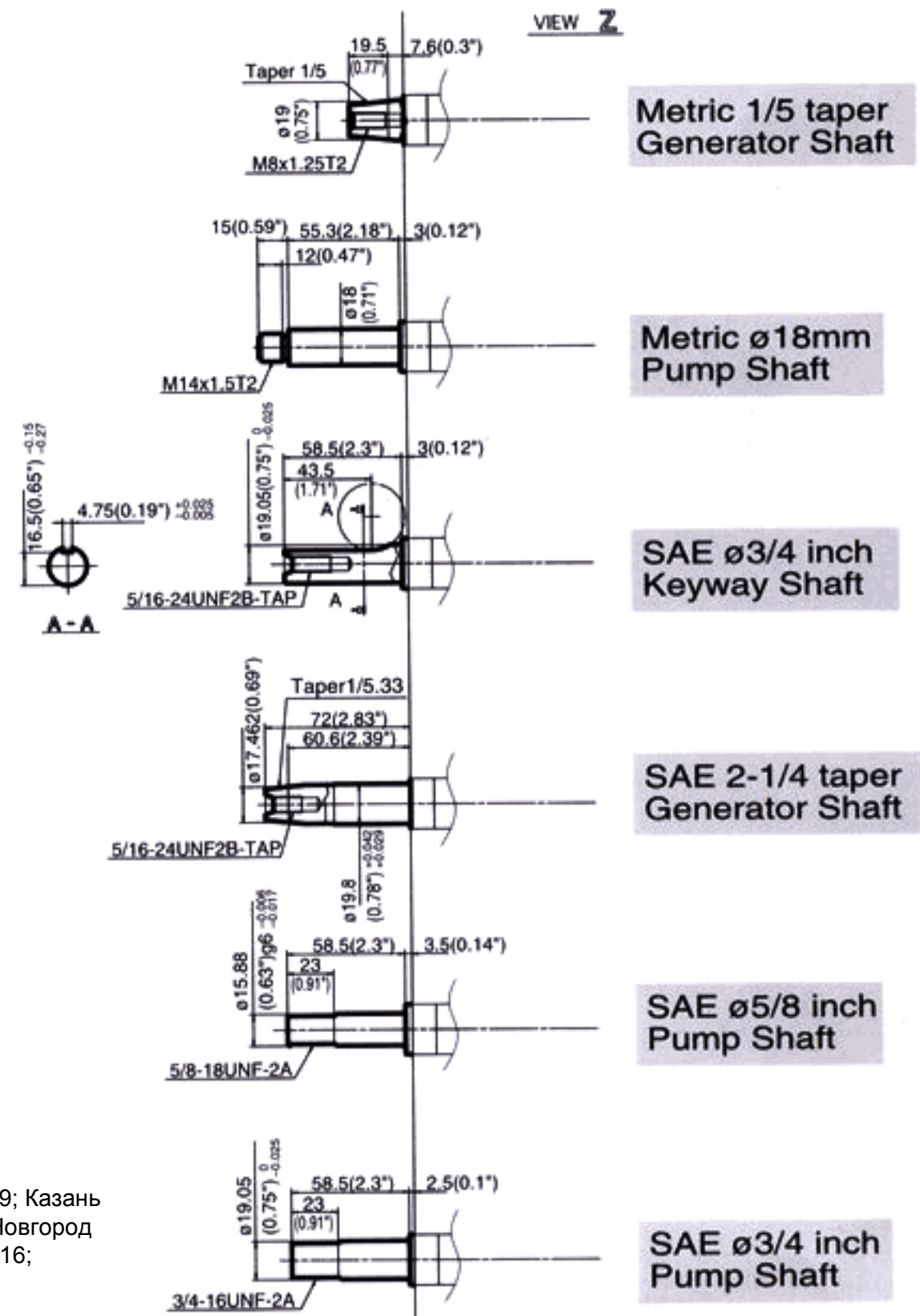


Metric $\phi 20$ mm
Keyway Shaft

EY15-3D PERFORMANCE CURVES

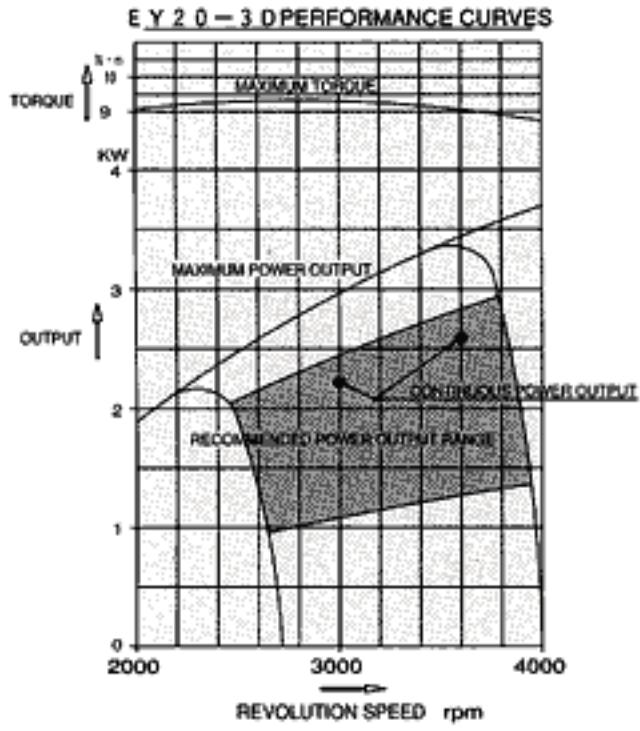
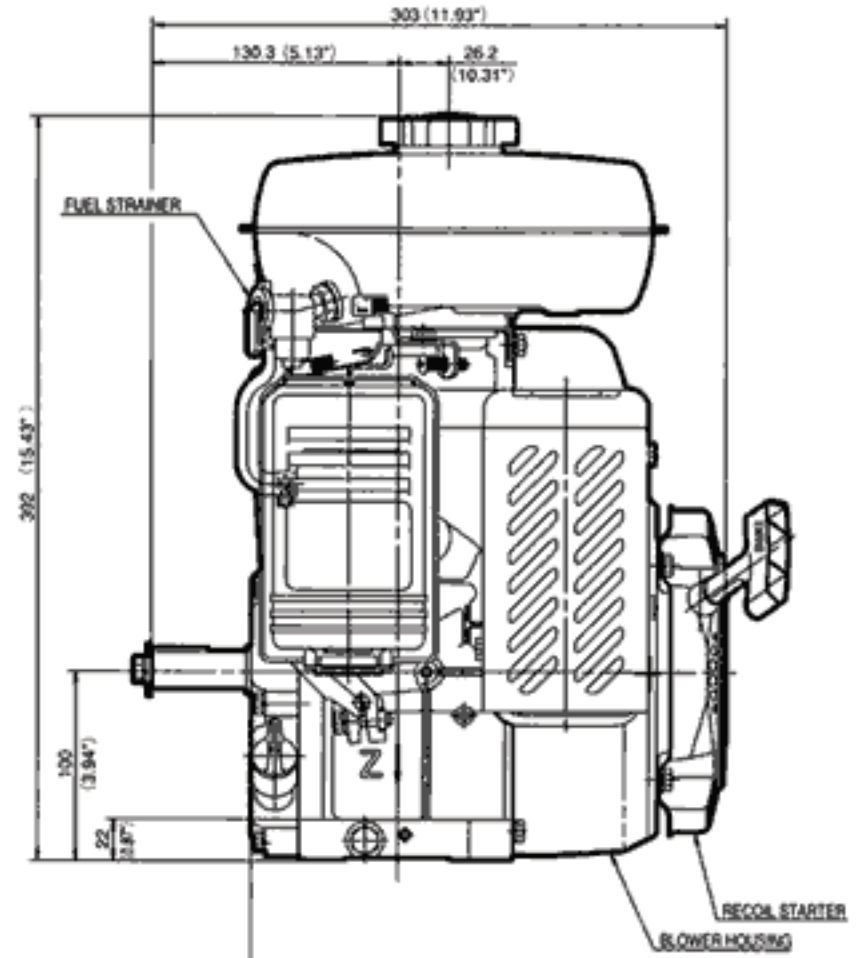
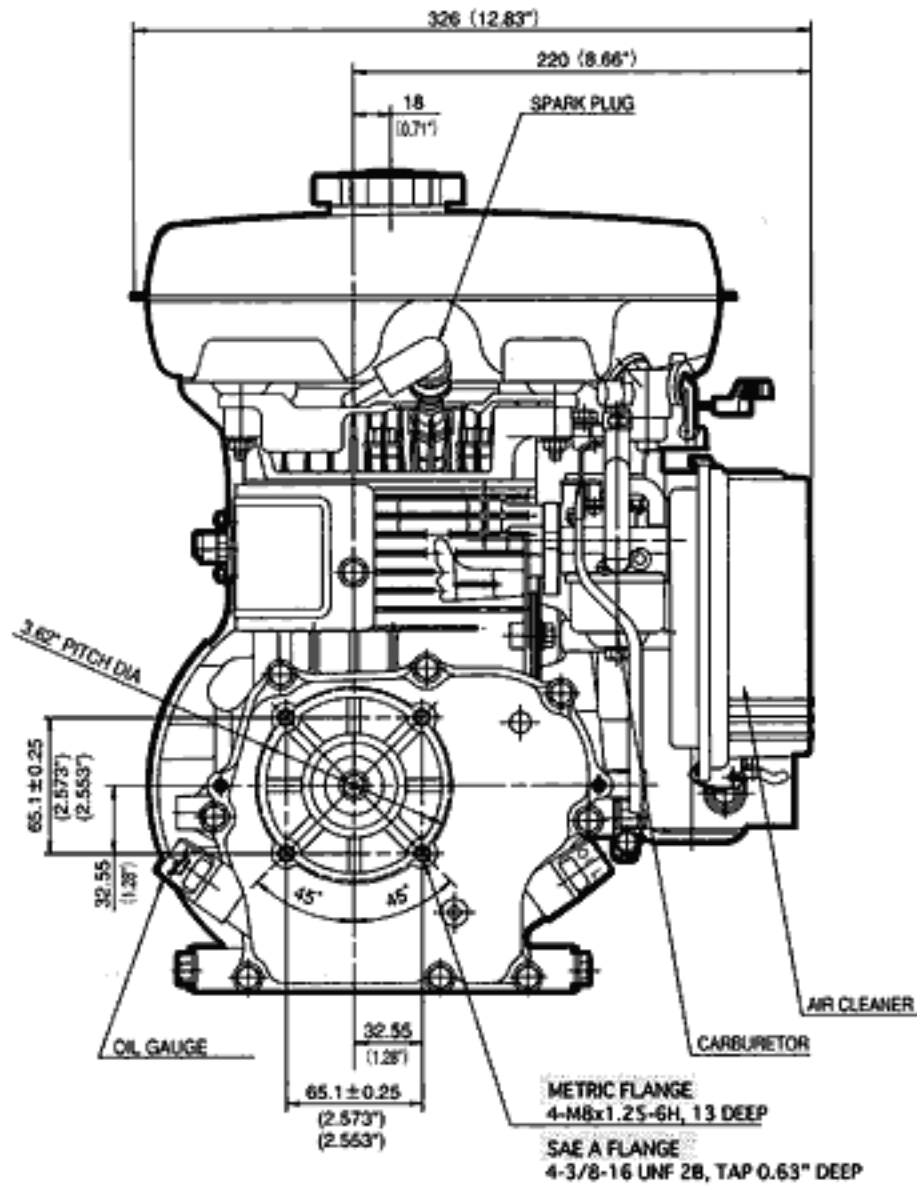


Power curves are corrected to standard sea level atmospheric condition and are developed from test engines equipped with standard air cleaner and muffler.

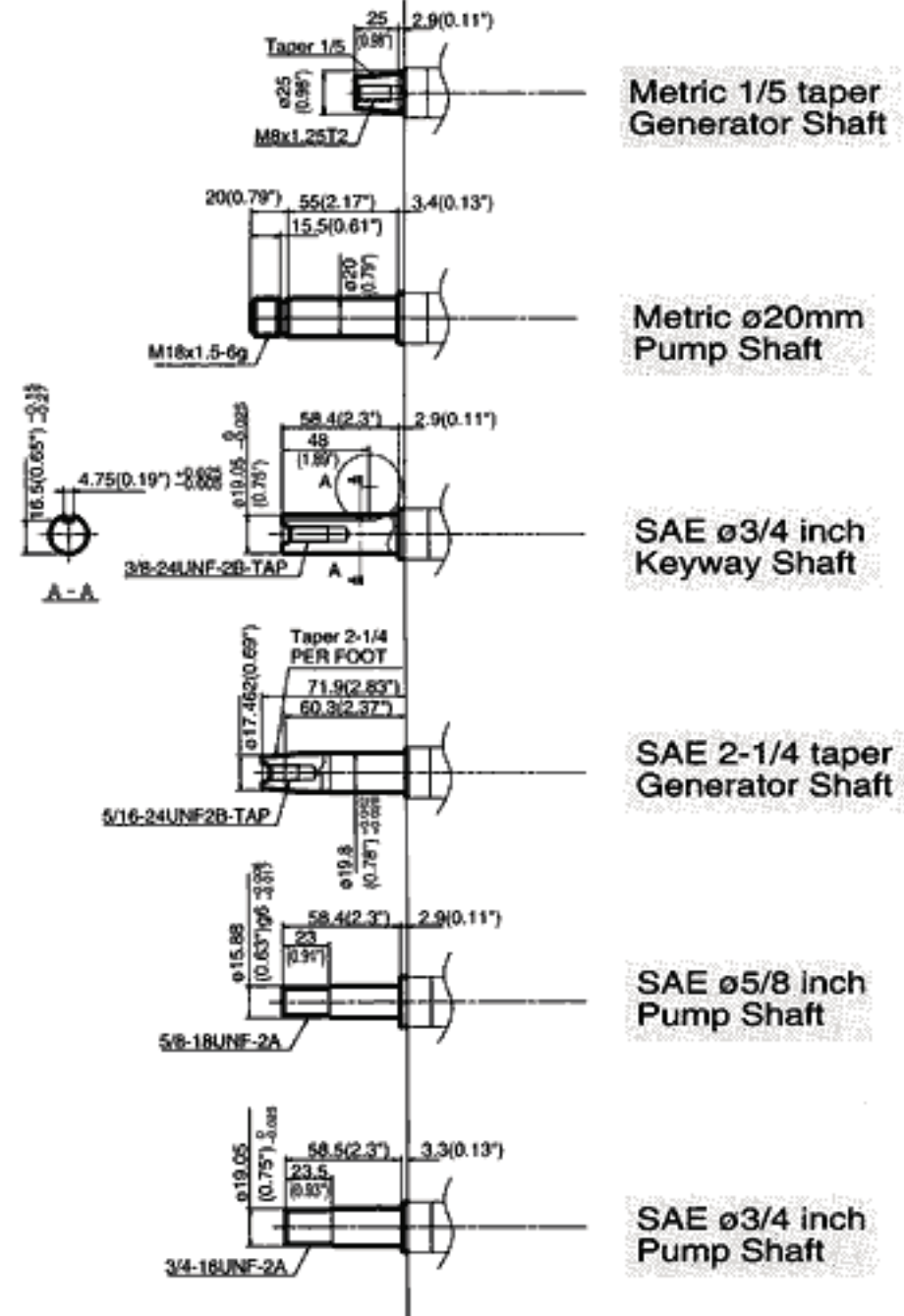
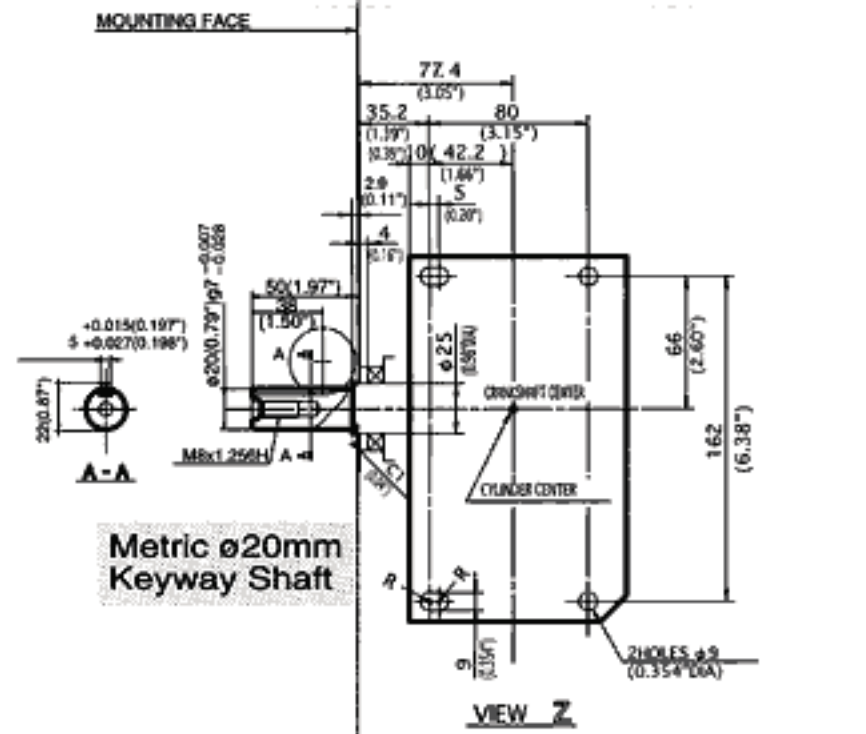


По вопросам продаж и поддержки обращайтесь:
Астана +7(7172)727-132; Волгоград (844)278-03-48; Воронеж (473)204-51-73; Екатеринбург (343)384-55-89; Казань (843)206-01-48; Краснодар (861)203-40-90; Красноярск (391)204-63-61; Москва (495)268-04-70; Нижний Новгород (831)429-08-12; Новосибирск (383)227-86-73; Ростов-на-Дону (863)308-18-15; Самара (846)206-03-16; Санкт-Петербург (812)309-46-40; Саратов (845)249-38-78; Уфа (347)229-48-12
Единый адрес: rsn@nt-rt.ru

Двигатель EY20-3D



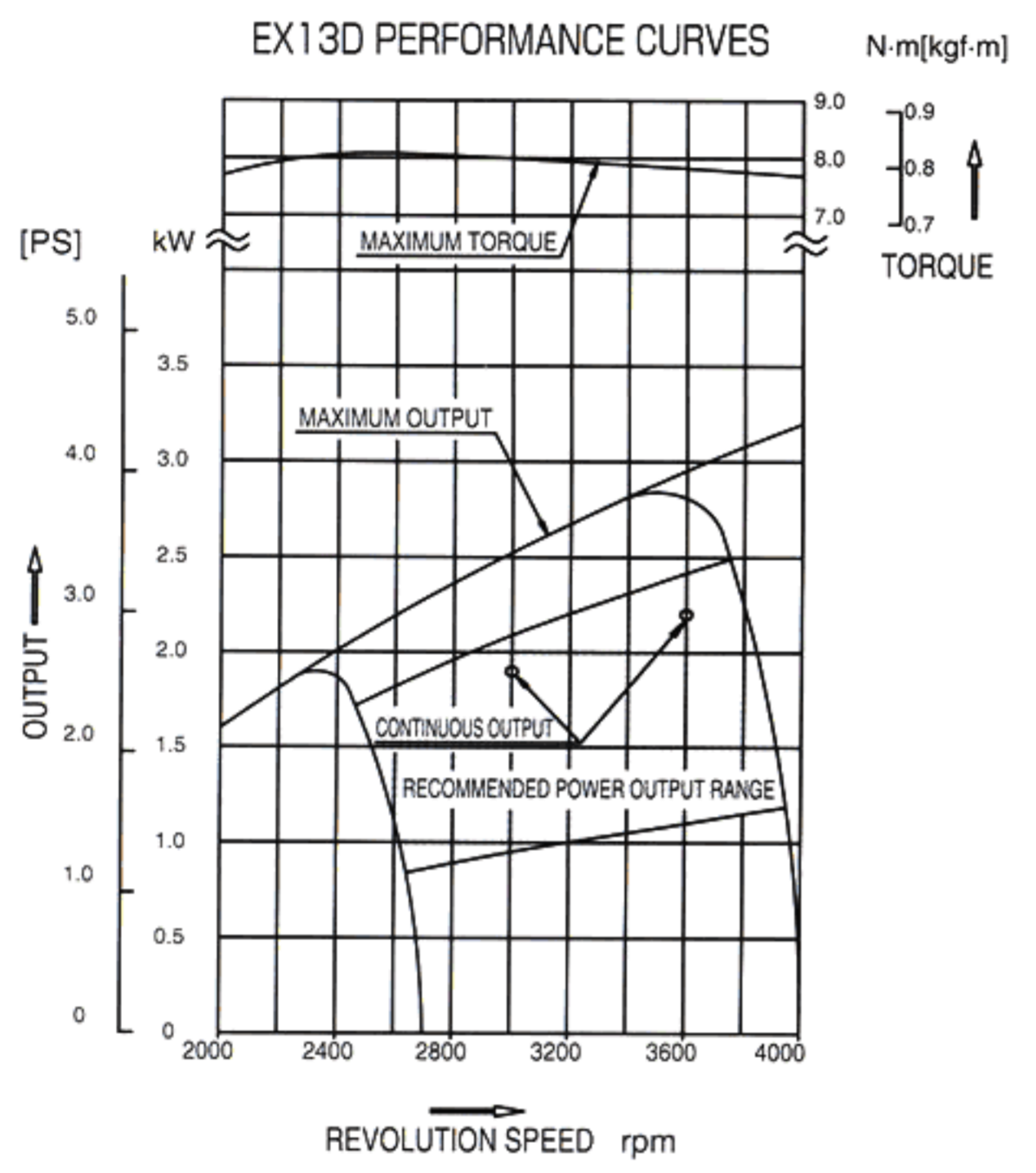
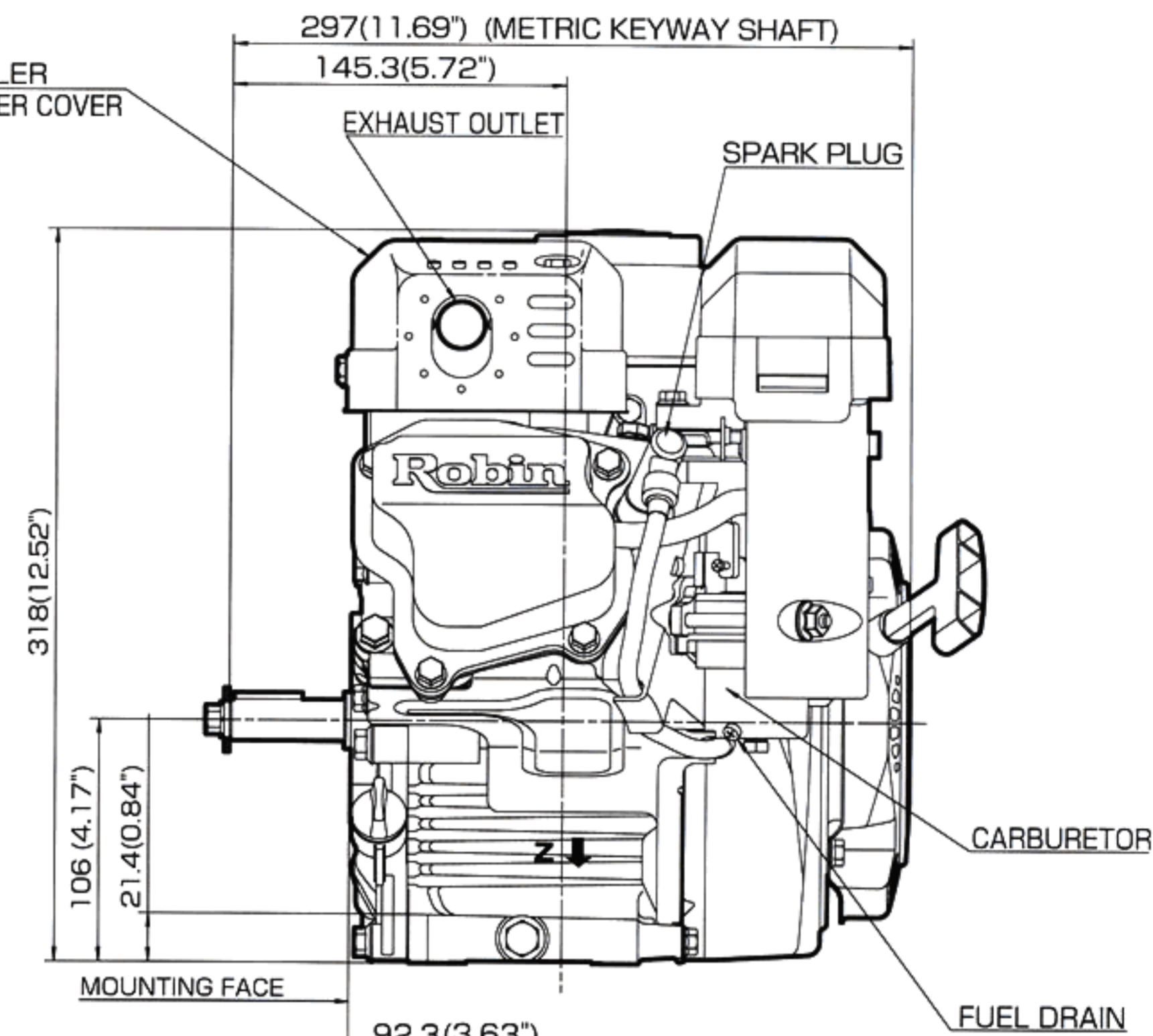
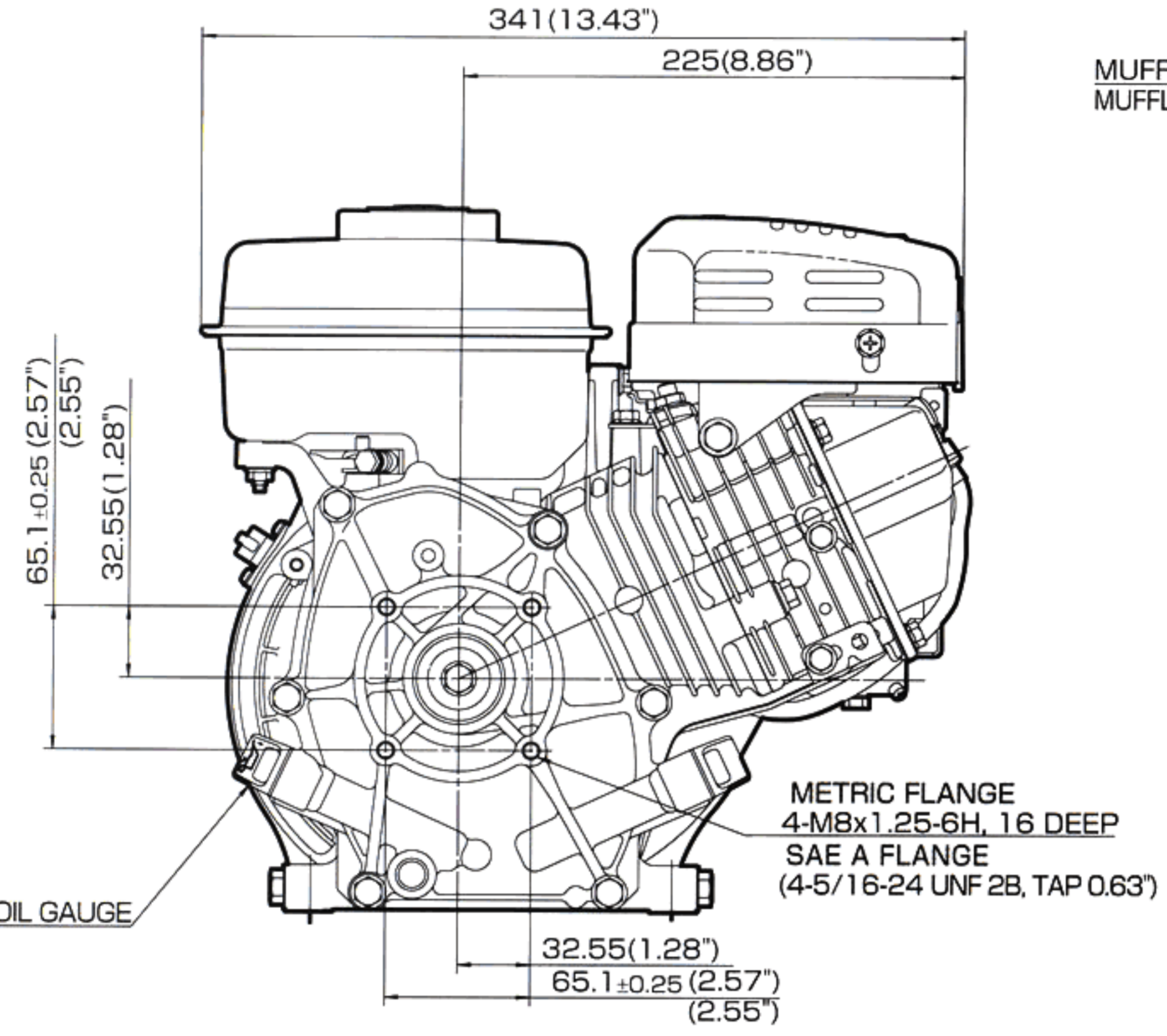
Power curves are corrected to standard sea level atmospheric condition and are developed from test engines equipped with standard air cleaner and muffler.



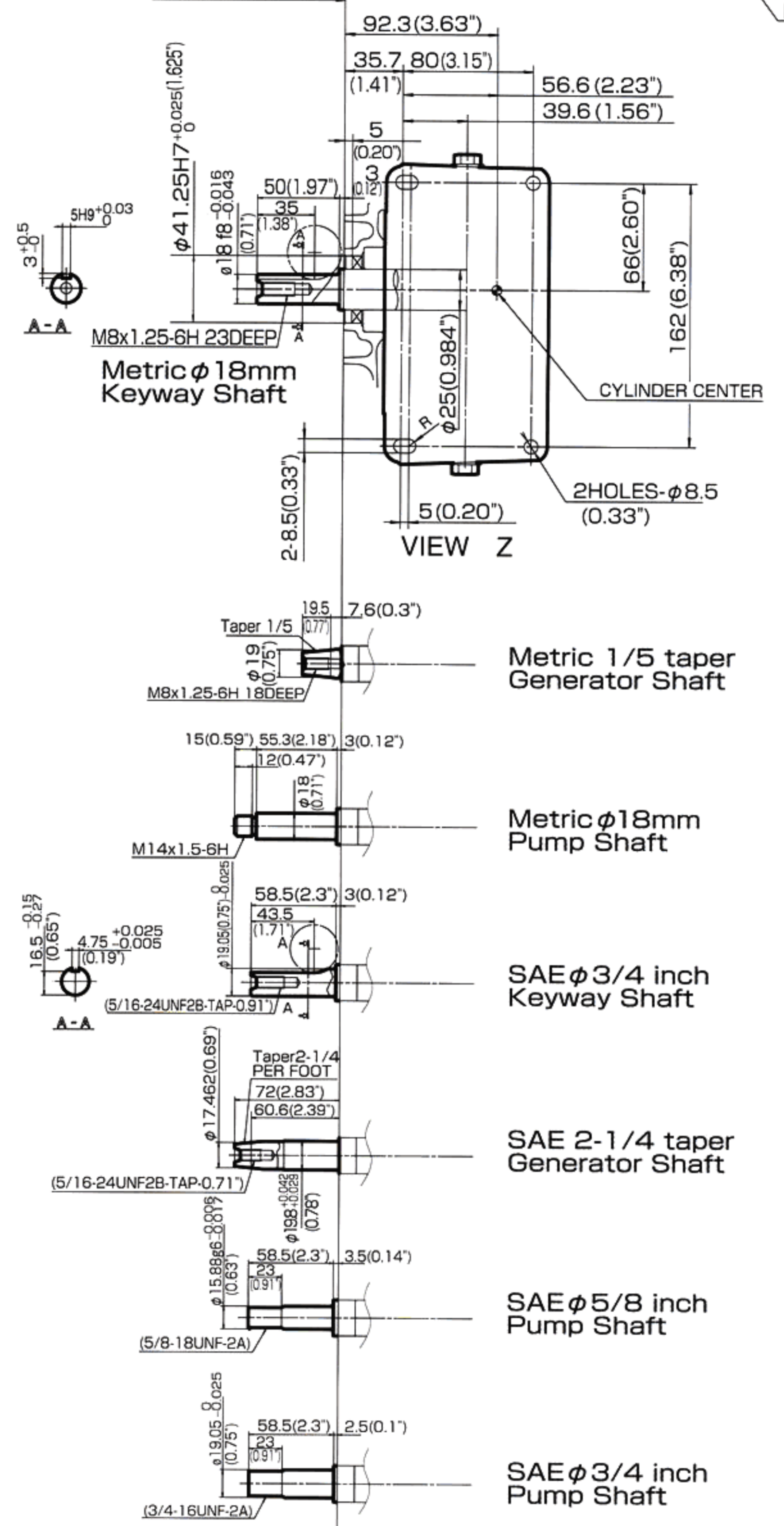
Semi Dry Air Cleaner

Dual Elements Air Cleaner

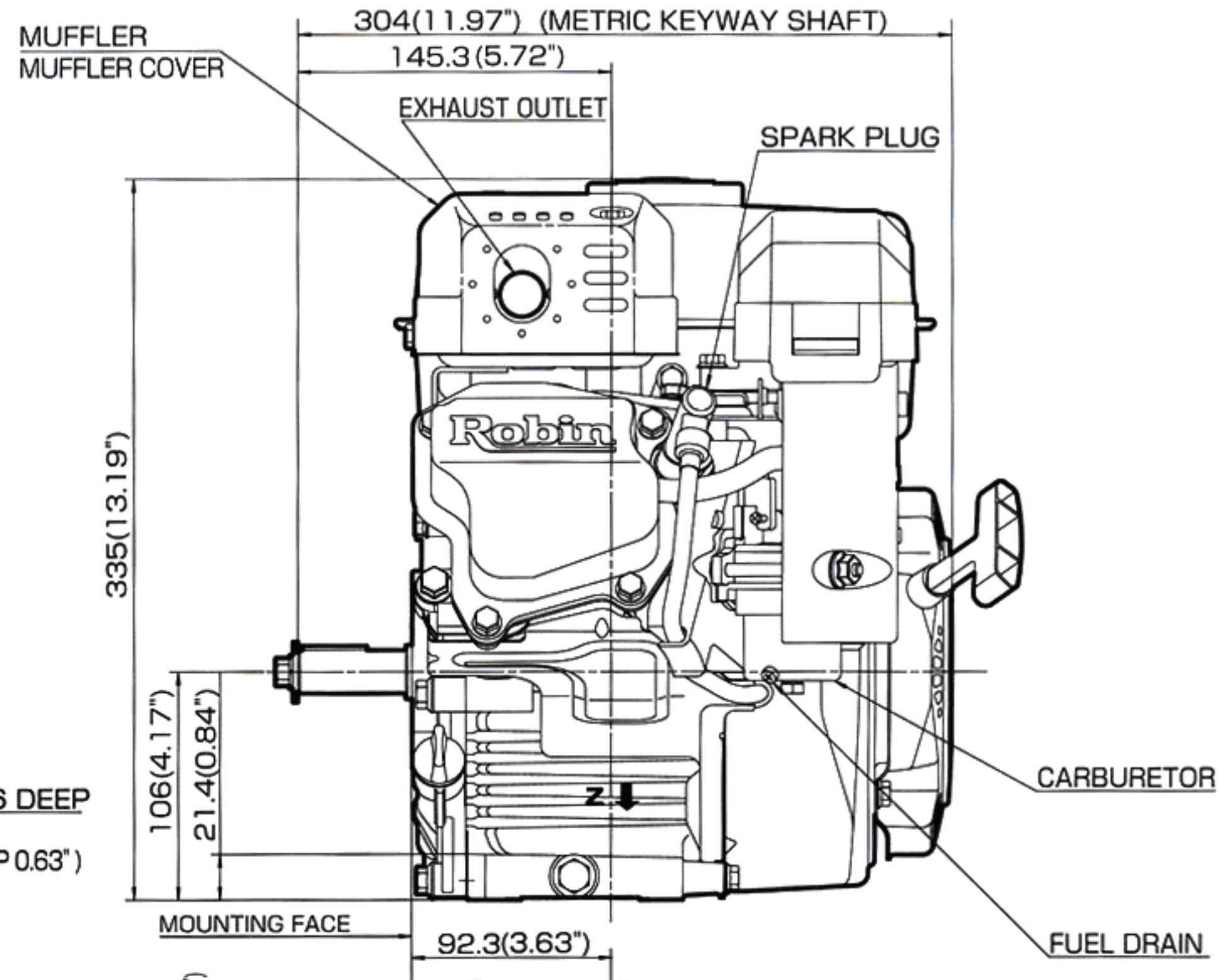
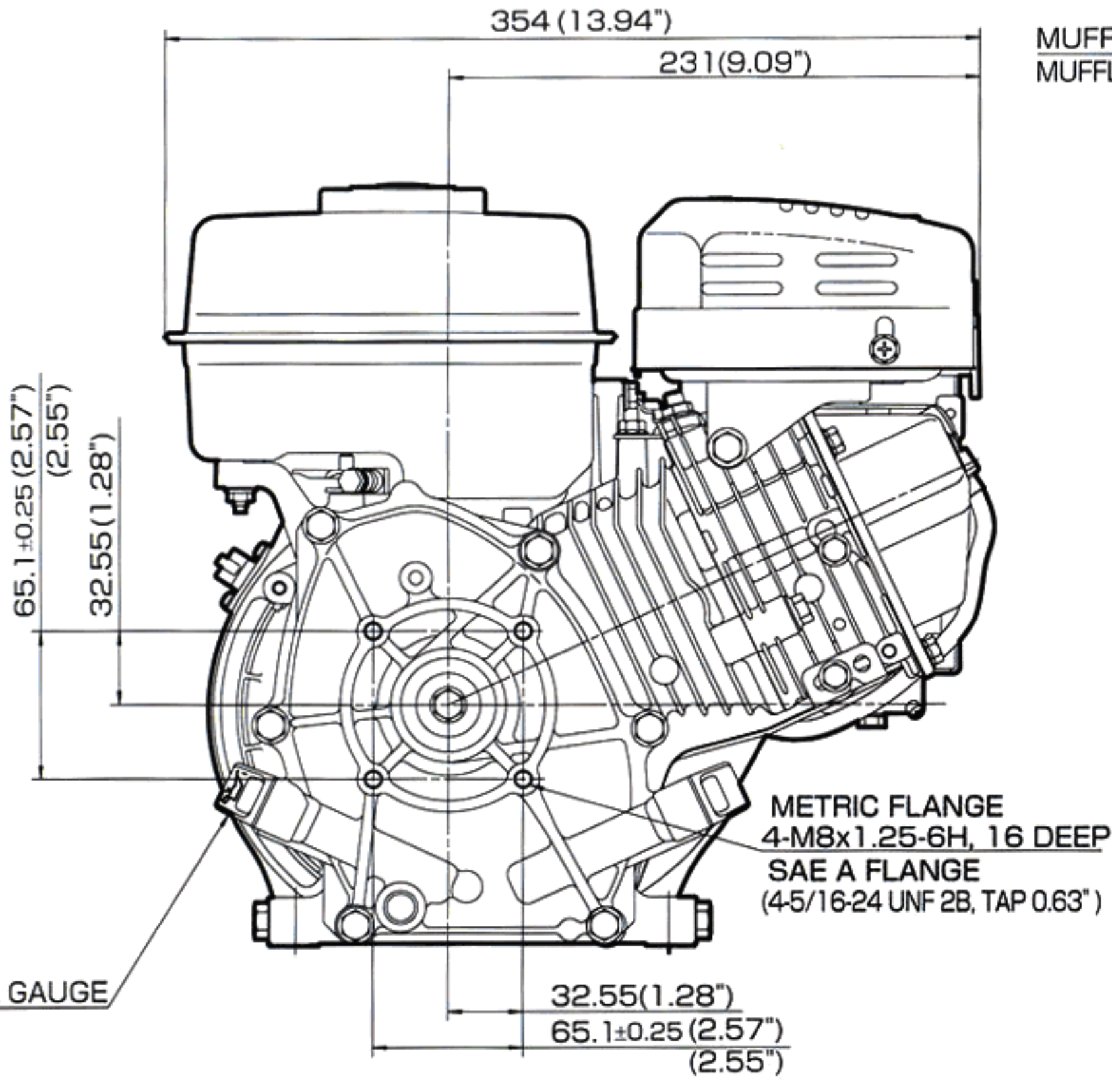
Двигатель EX13



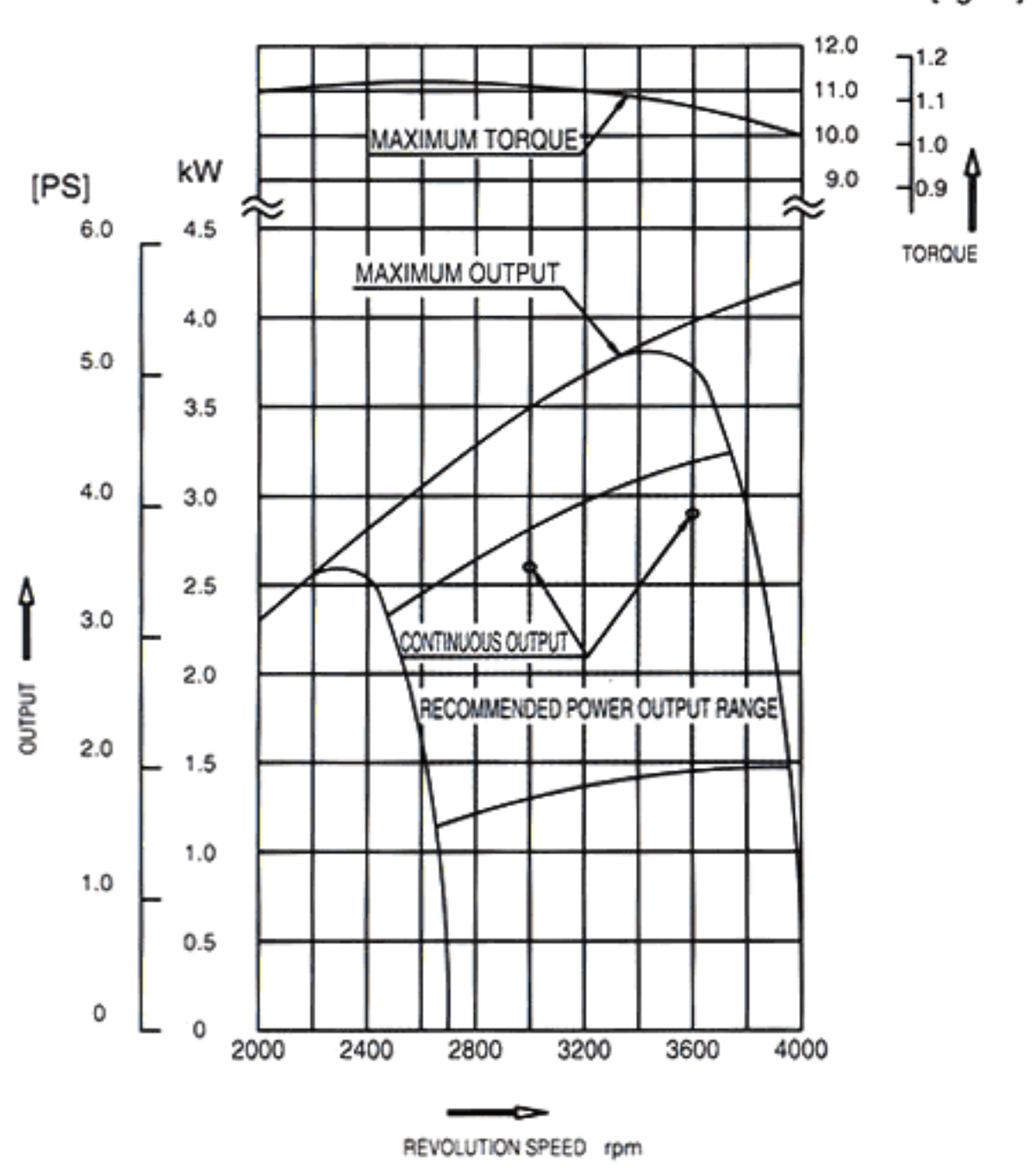
Power curves are corrected to standard sea level atmospheric condition and are developed from test engines equipped with standard air cleaner and muffler.



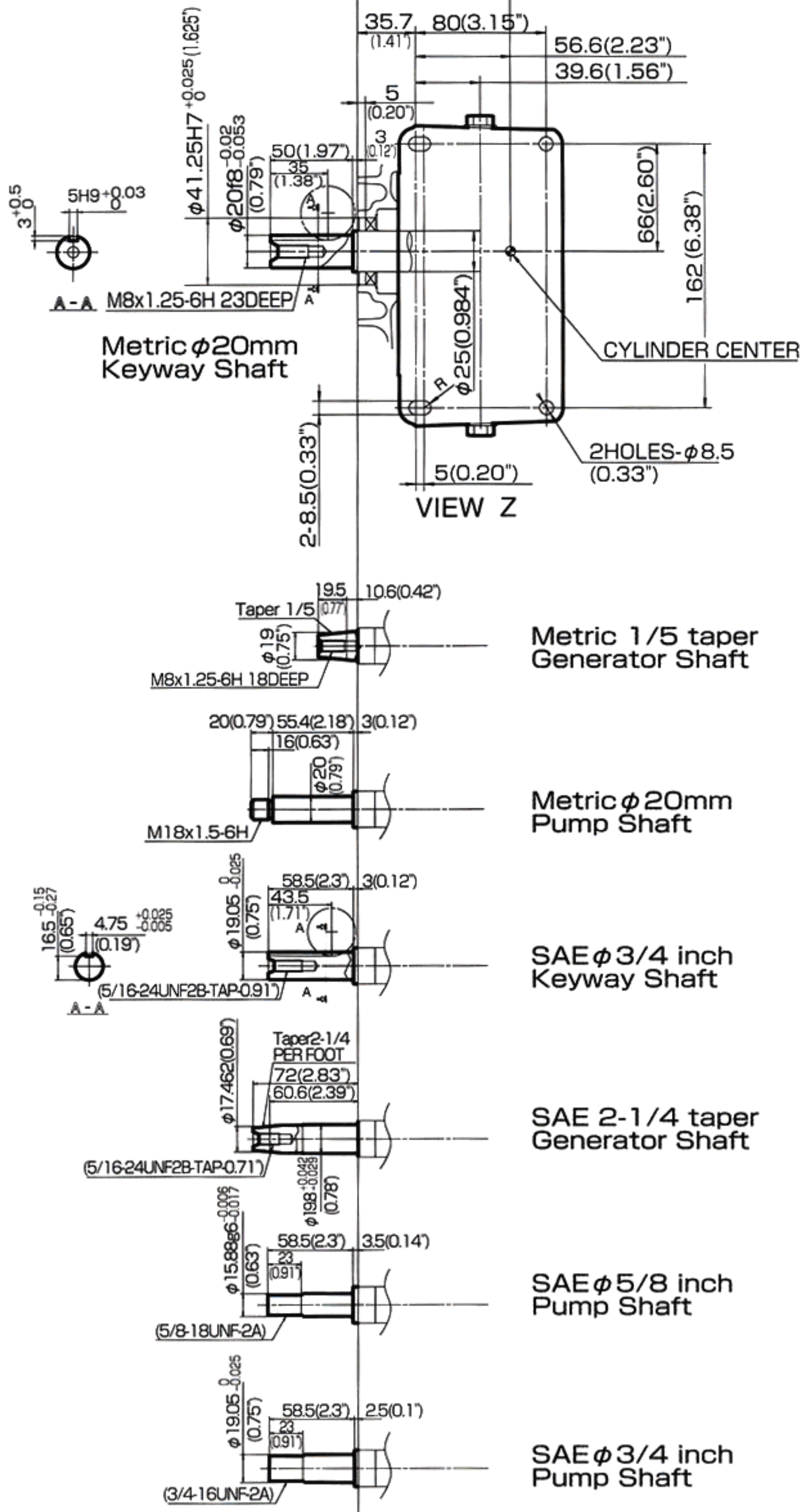
Двигатель EX17



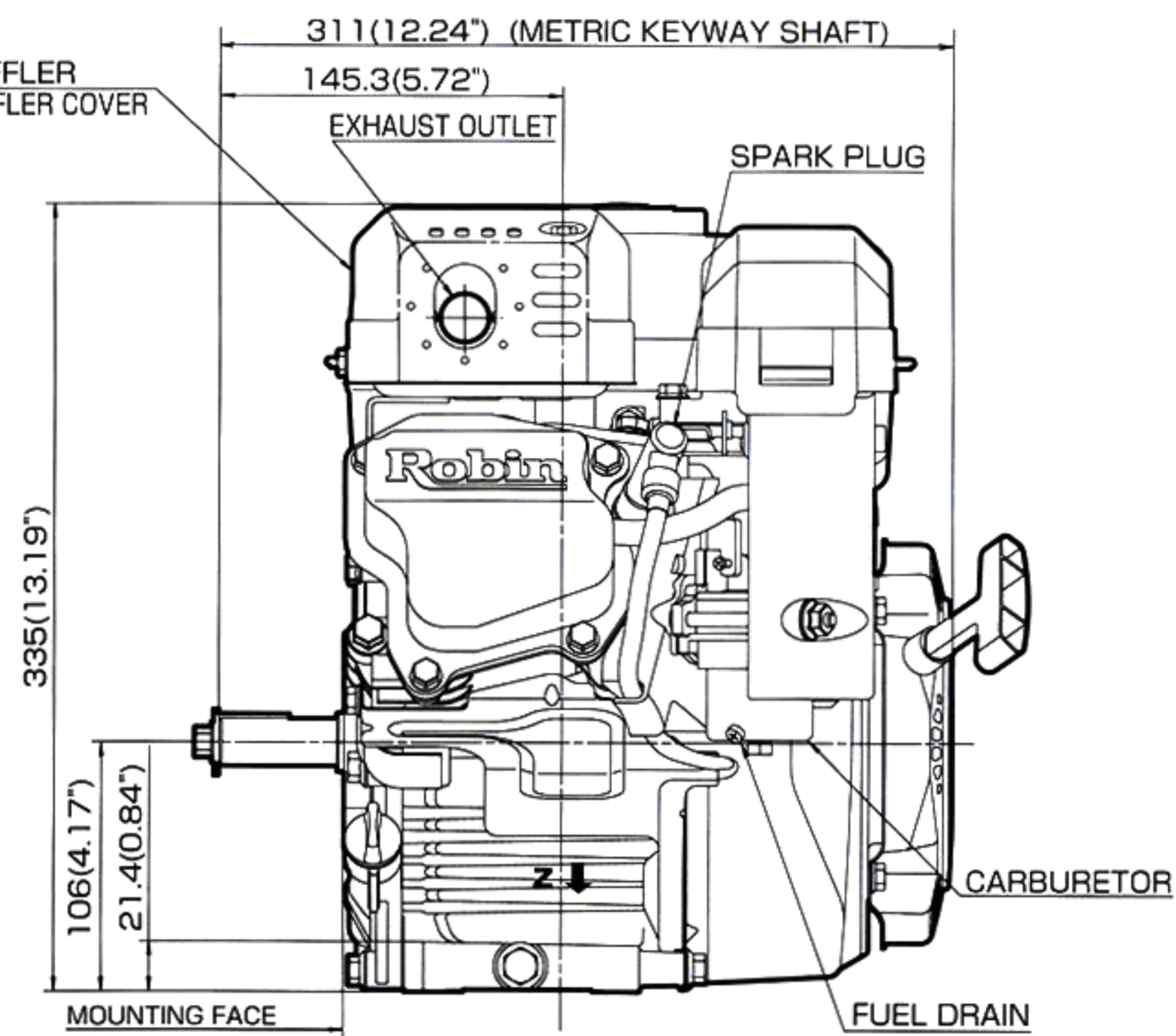
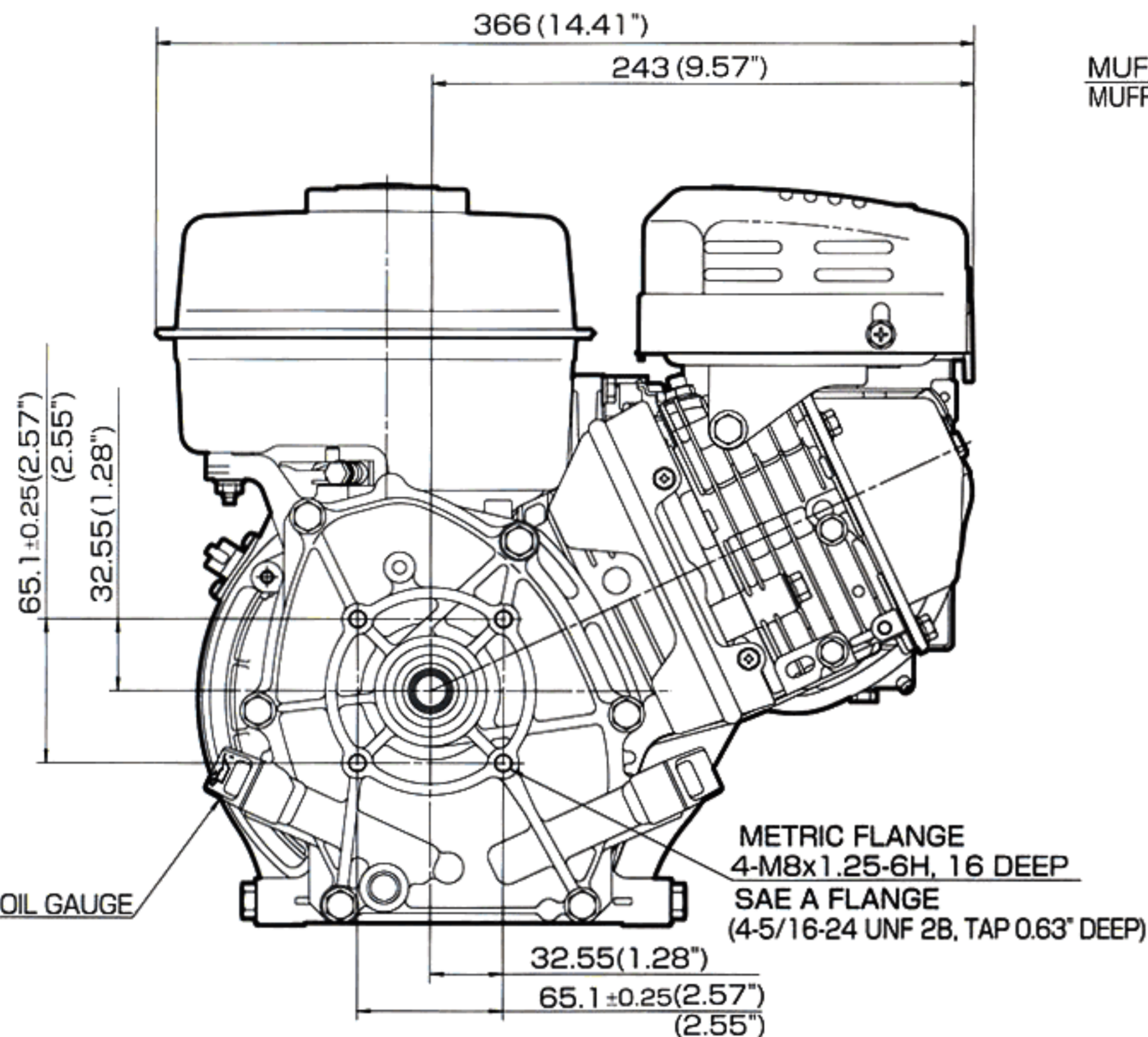
EX17D PERFORMANCE CURVES



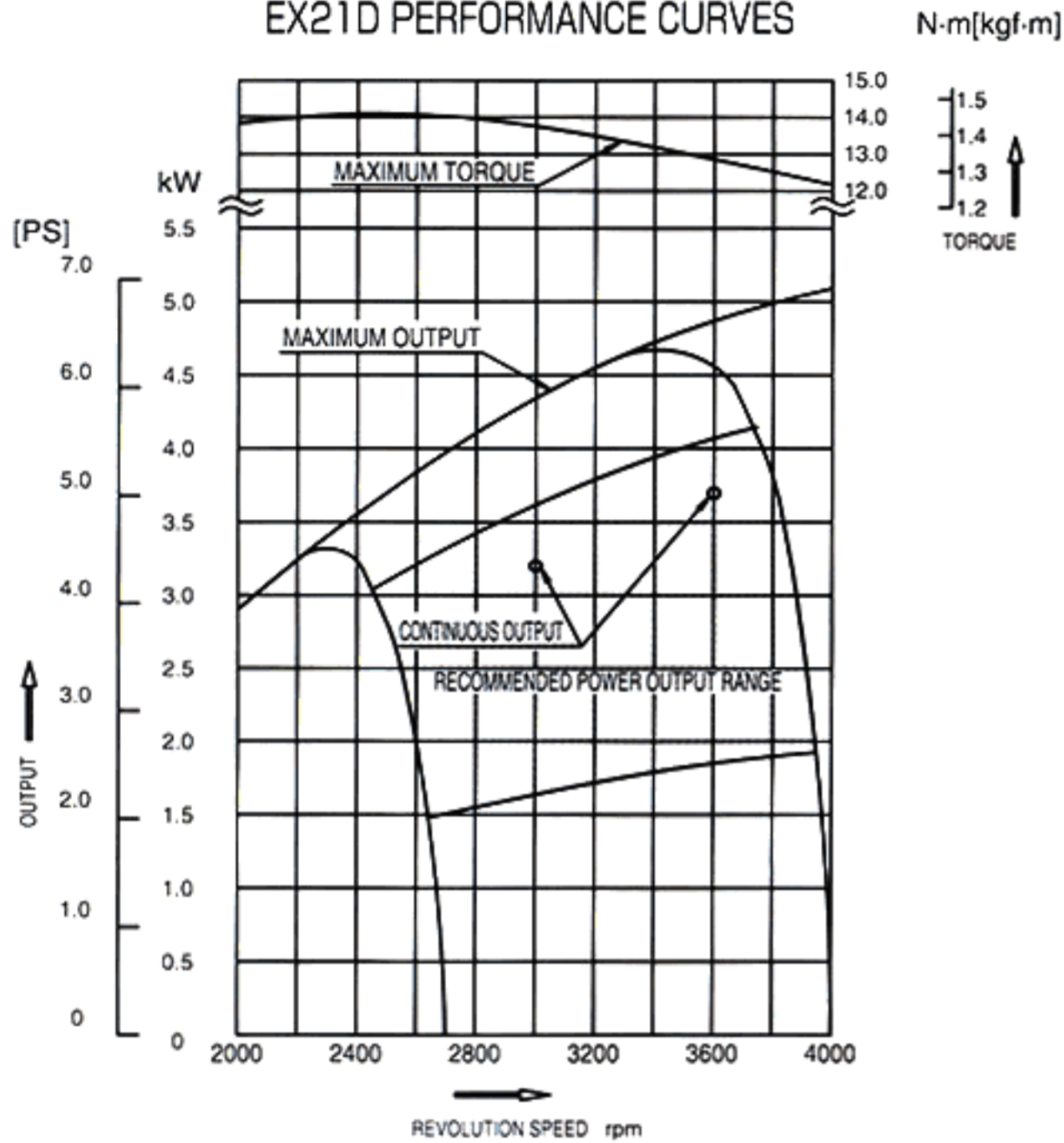
Power curves are corrected to standard sea level atmospheric condition and are developed from test engines equipped with standard air cleaner and muffler.



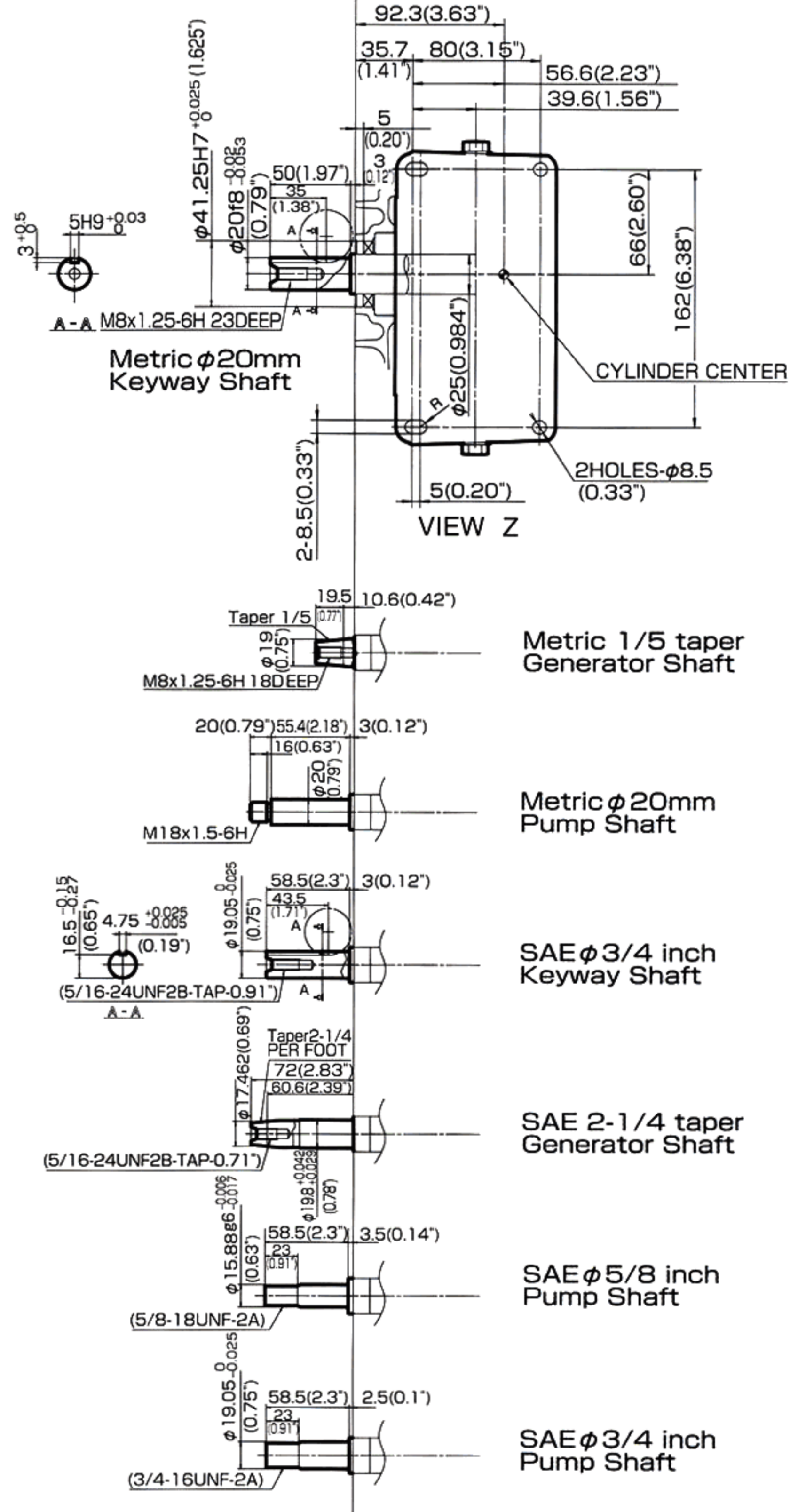
Двигатель EX21



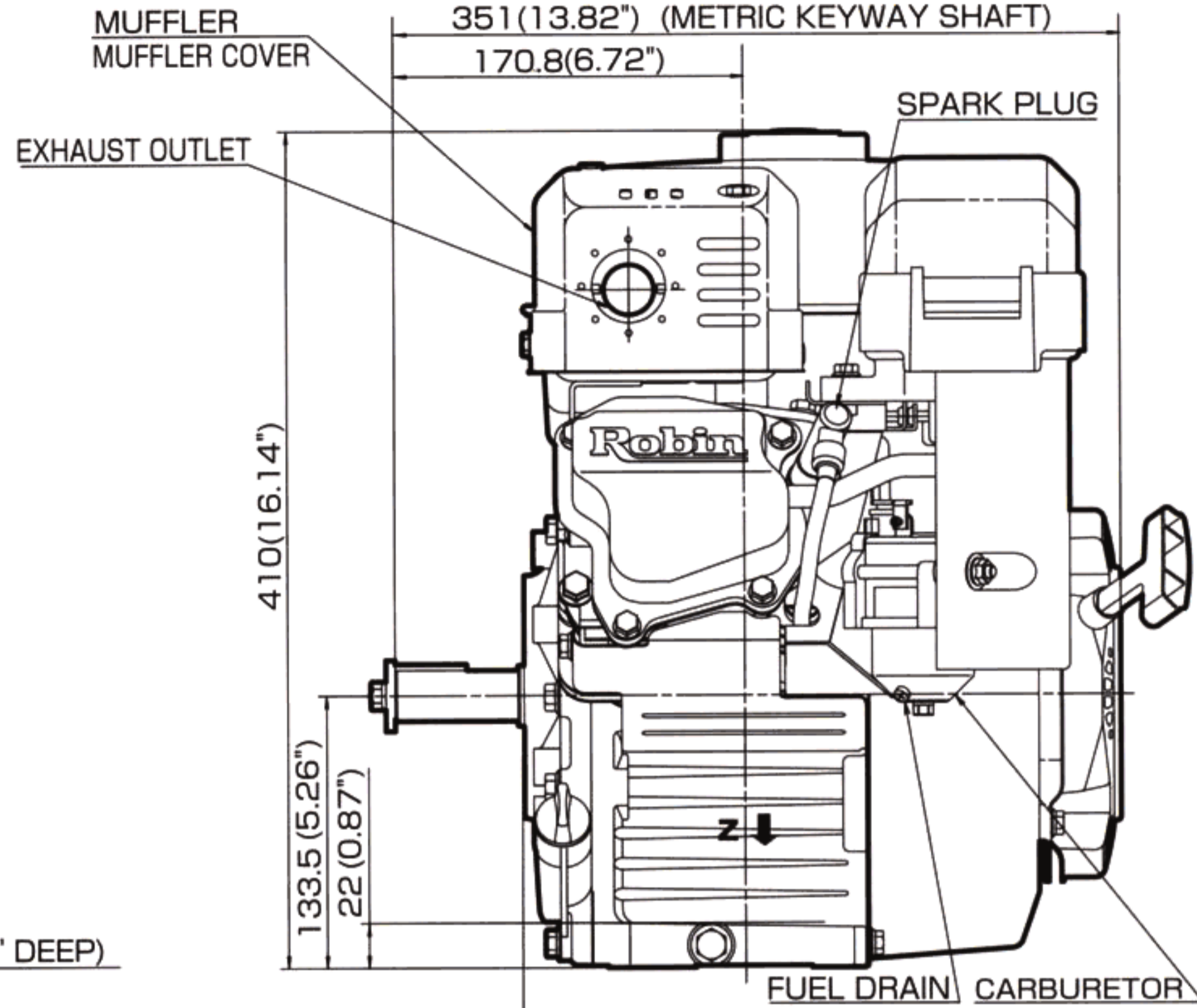
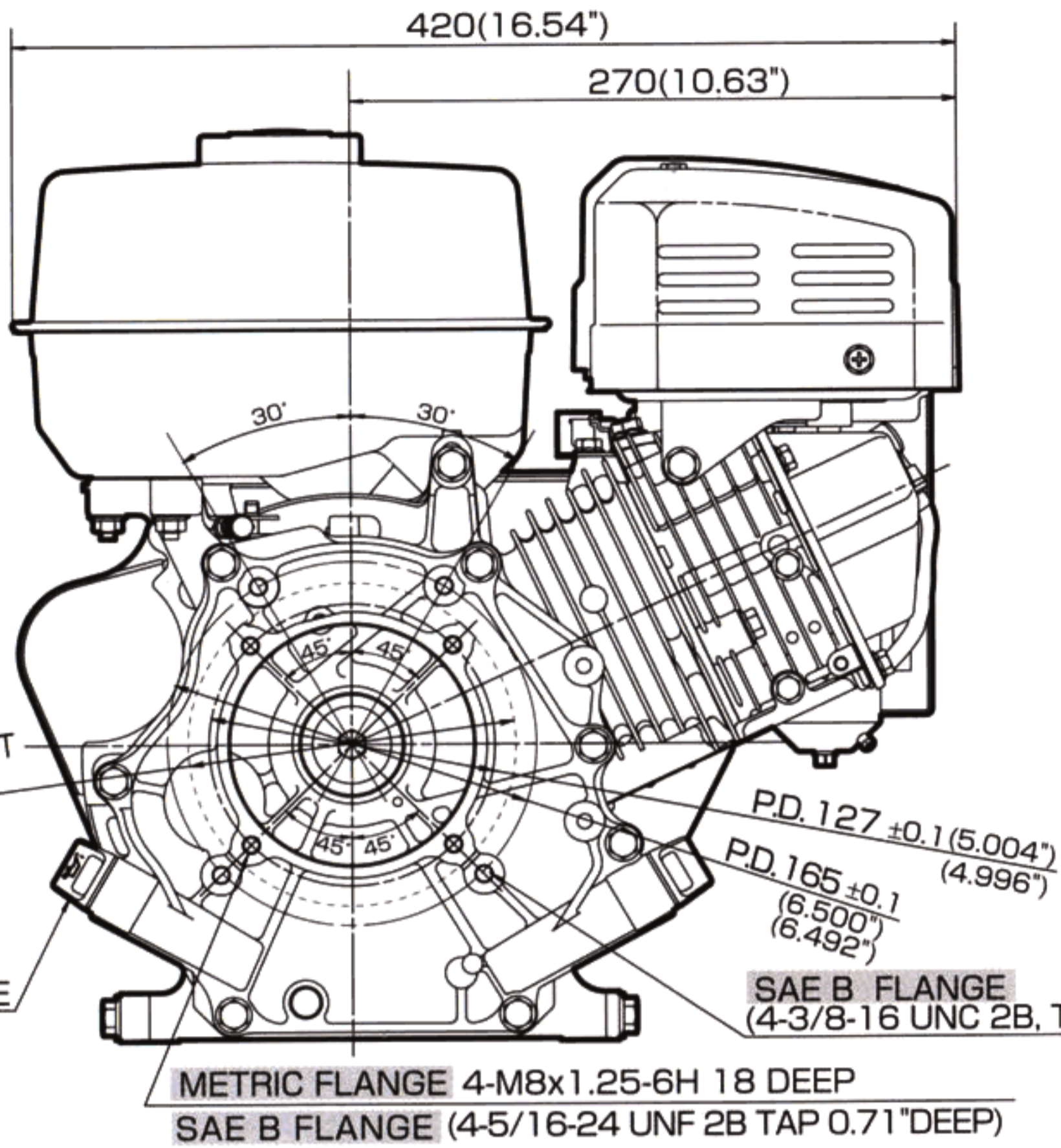
EX21D PERFORMANCE CURVES



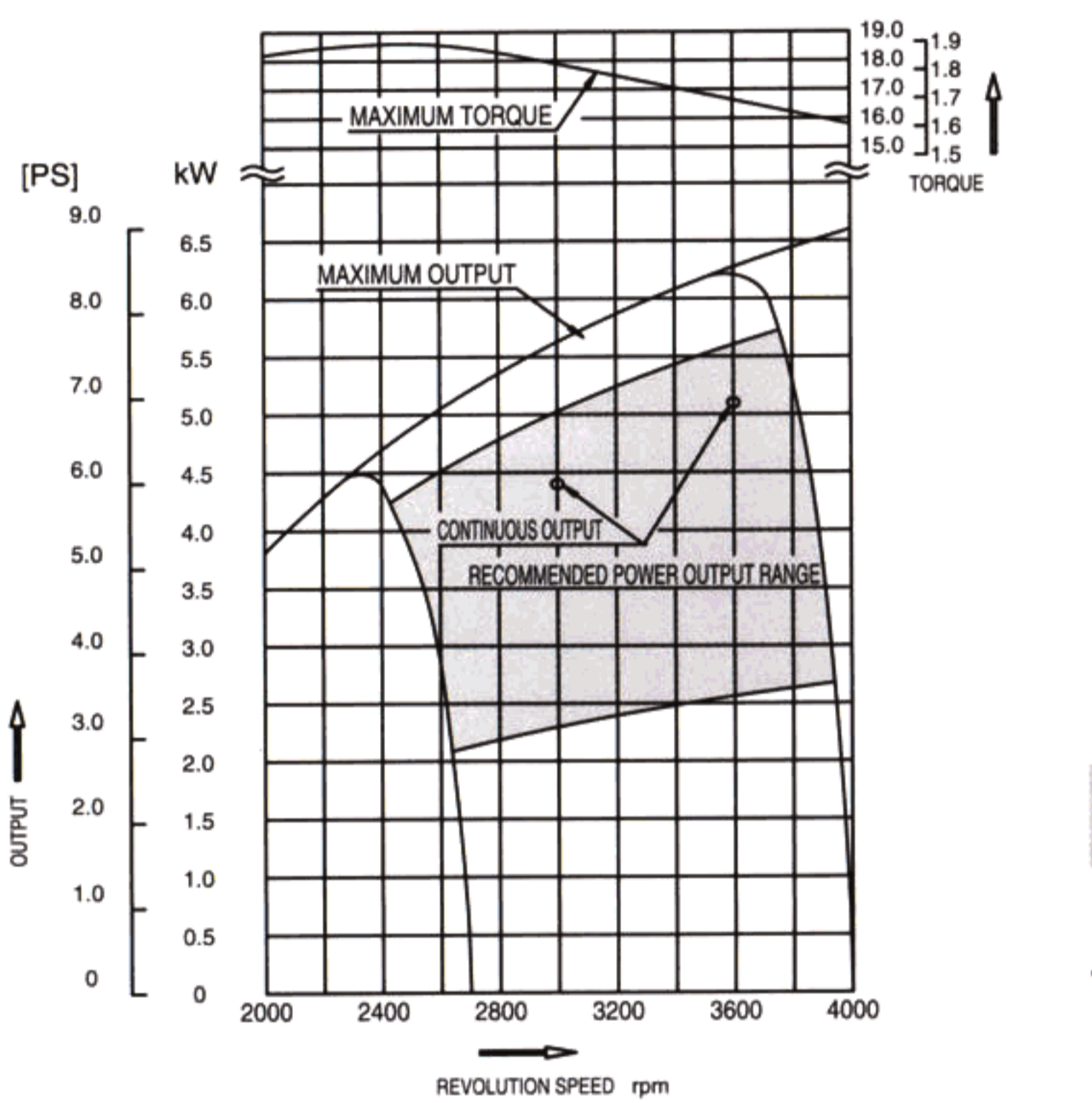
Power curves are corrected to standard sea level atmospheric condition and are developed from test engines equipped with standard air cleaner and muffler.



Двигатель EX27

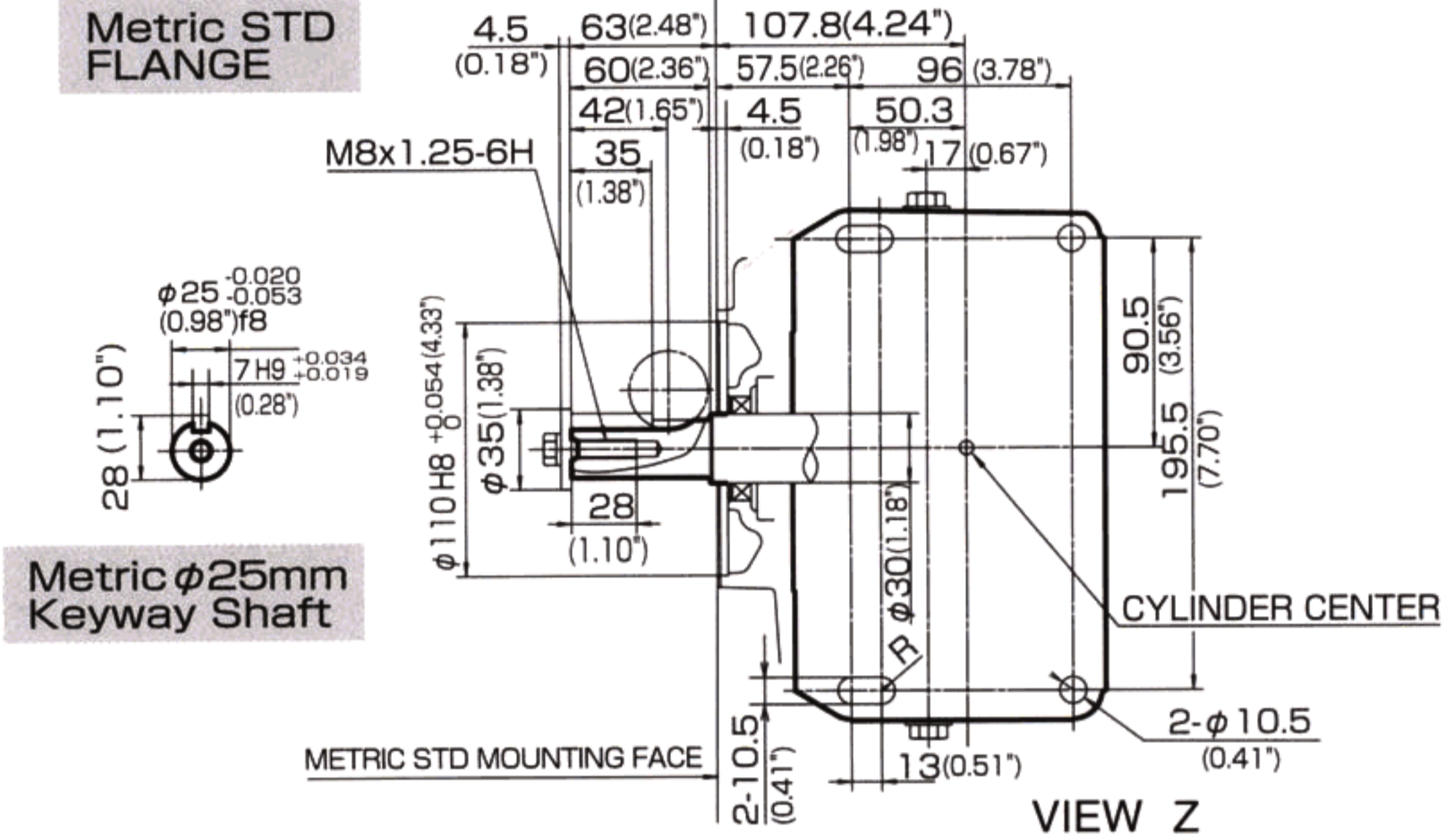


EX27D PERFORMANCE CURVES

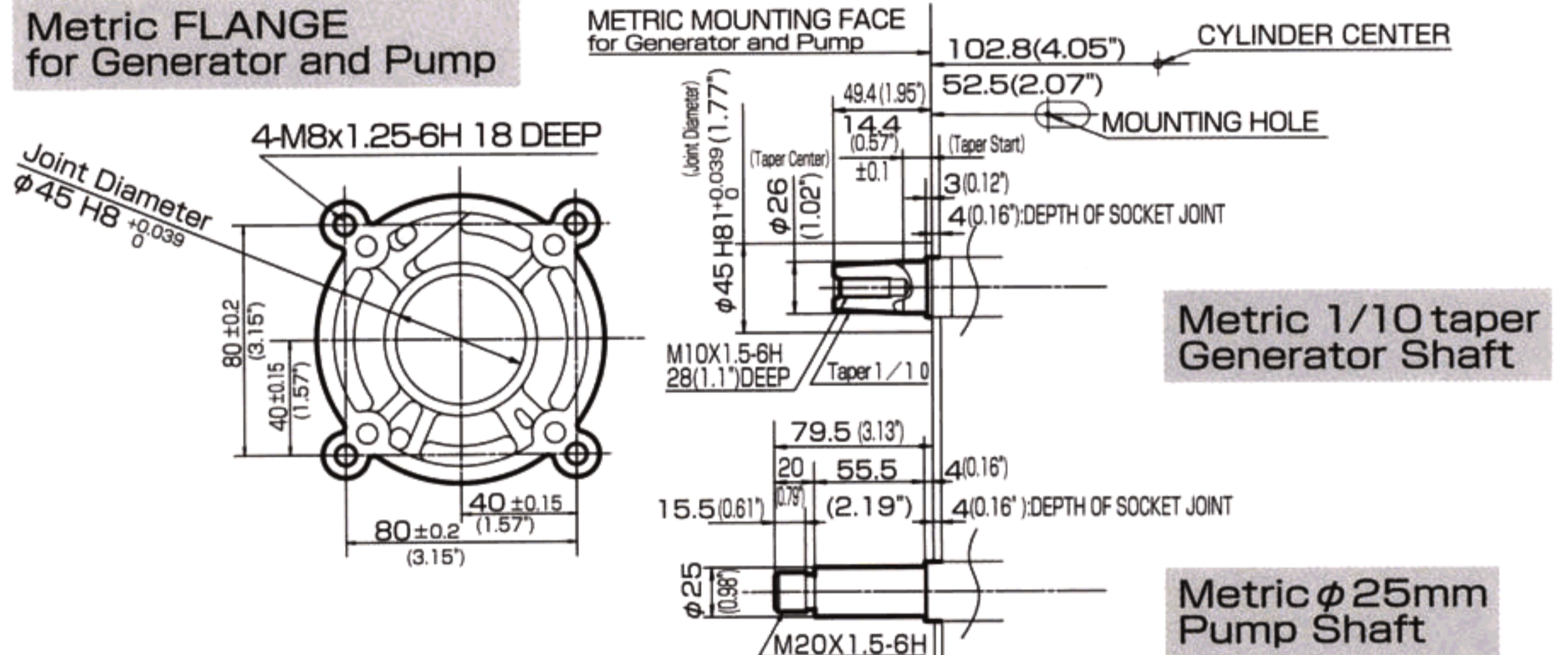


Power curves are corrected to standard sea level atmospheric condition and are developed from test engines equipped with standard air cleaner and muffler.

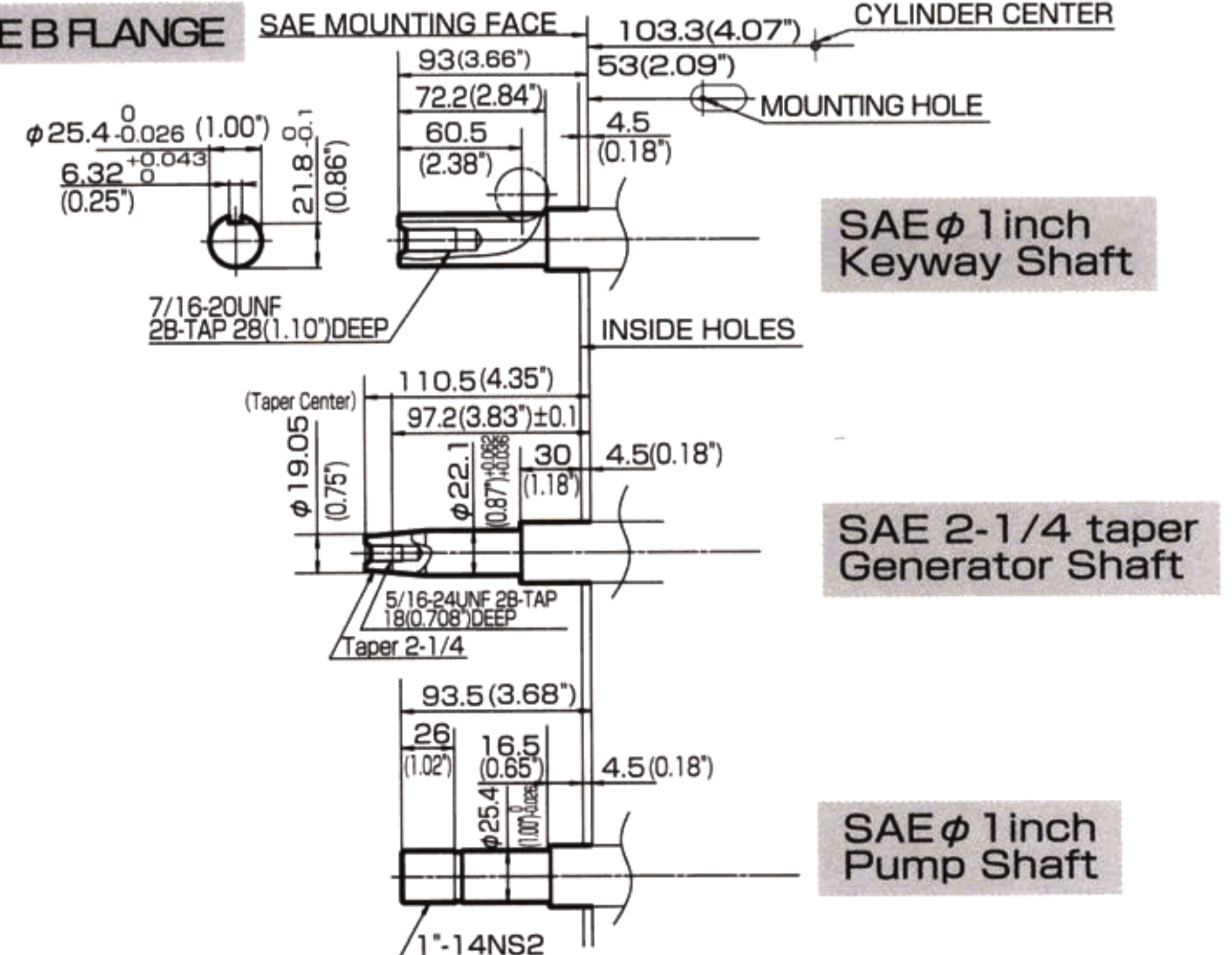
Metric STD FLANGE



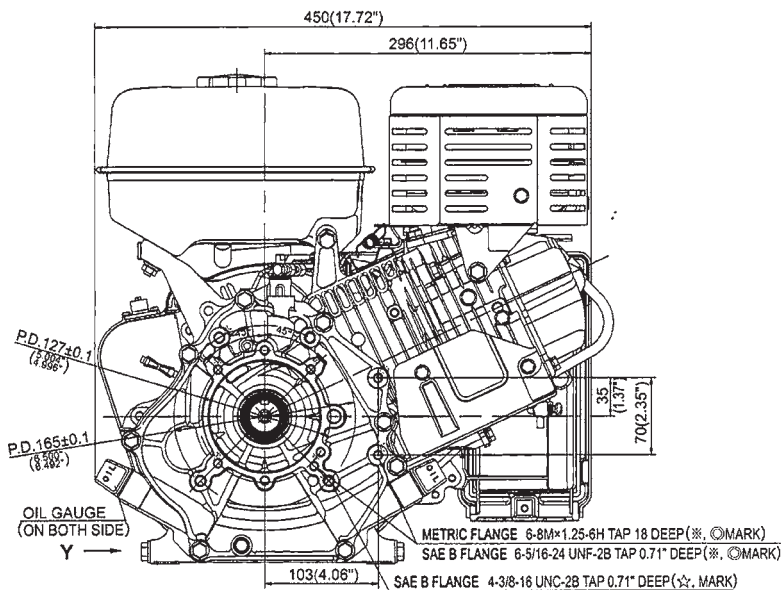
Metric FLANGE for Generator and Pump



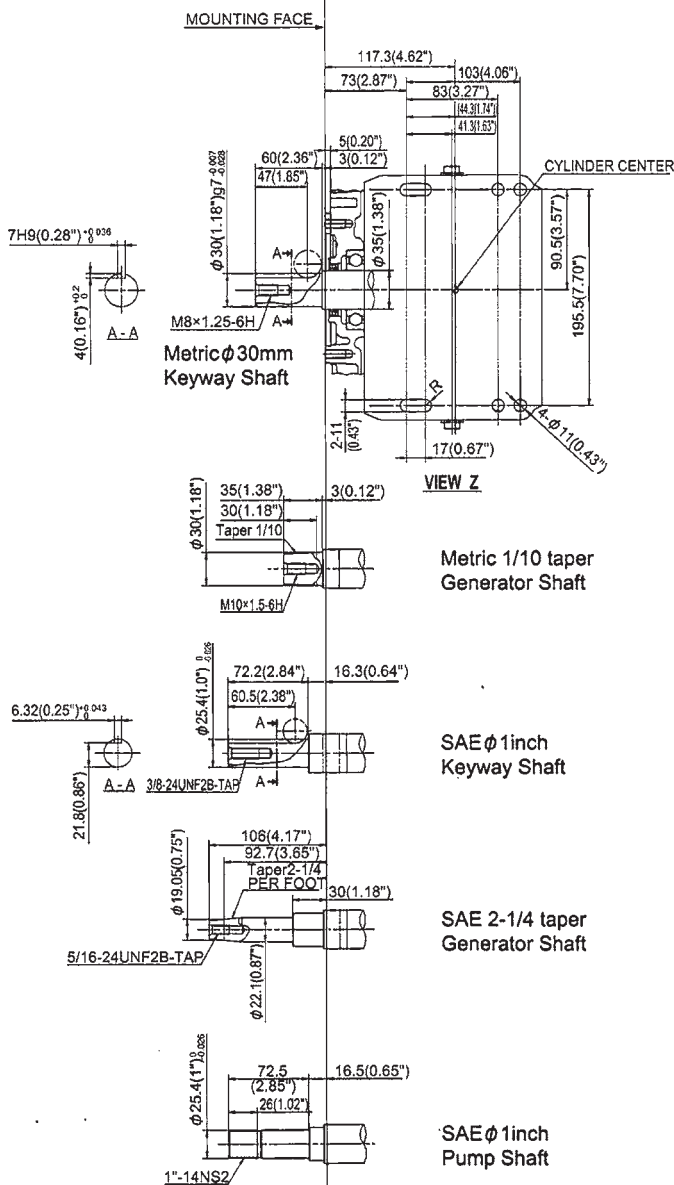
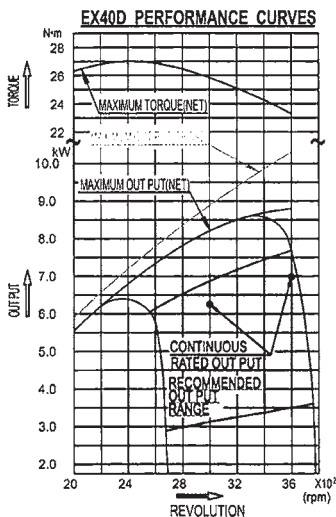
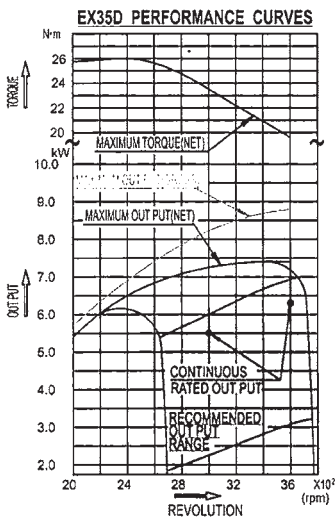
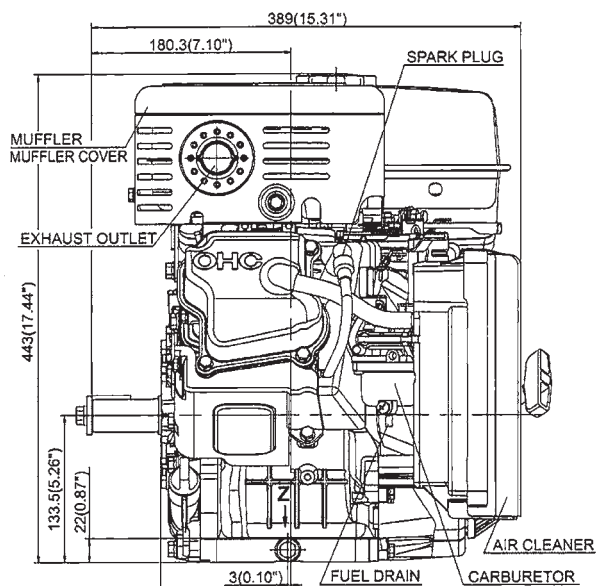
SAE B FLANGE



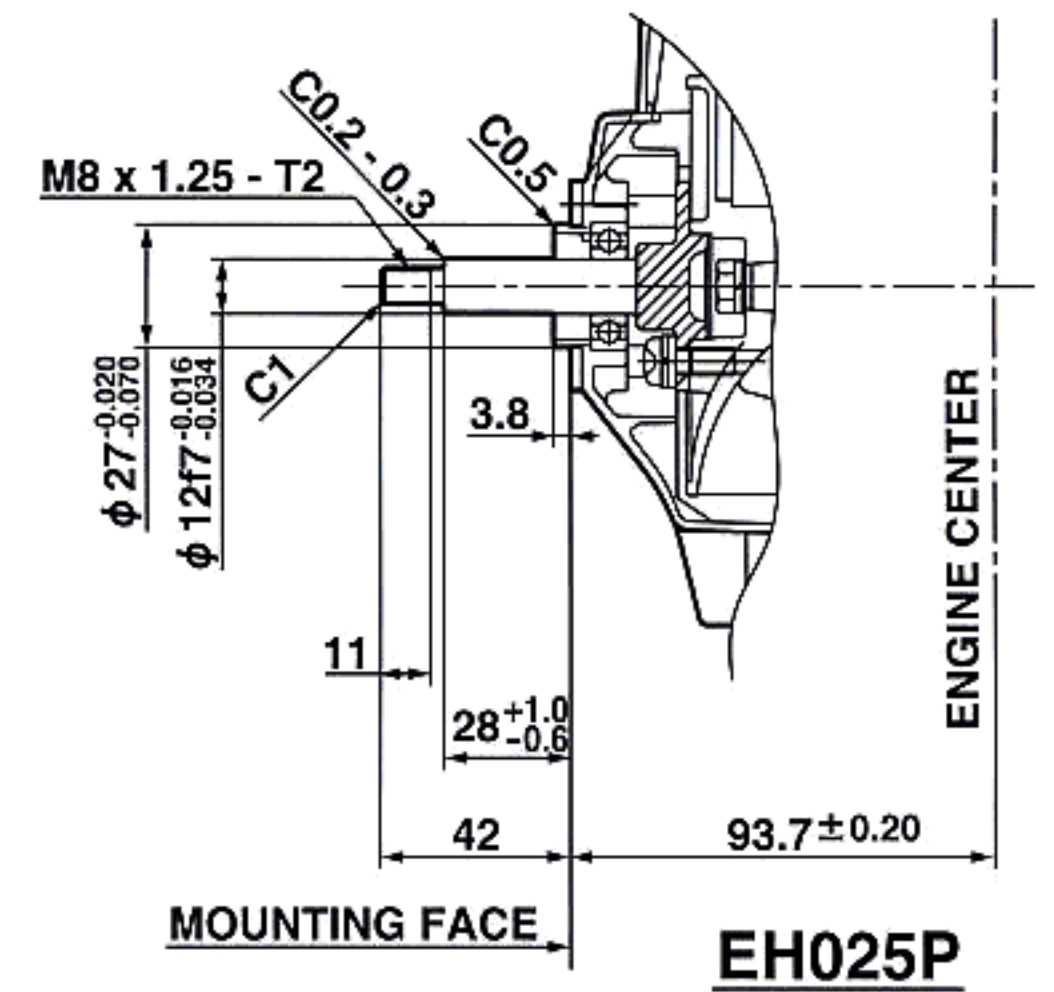
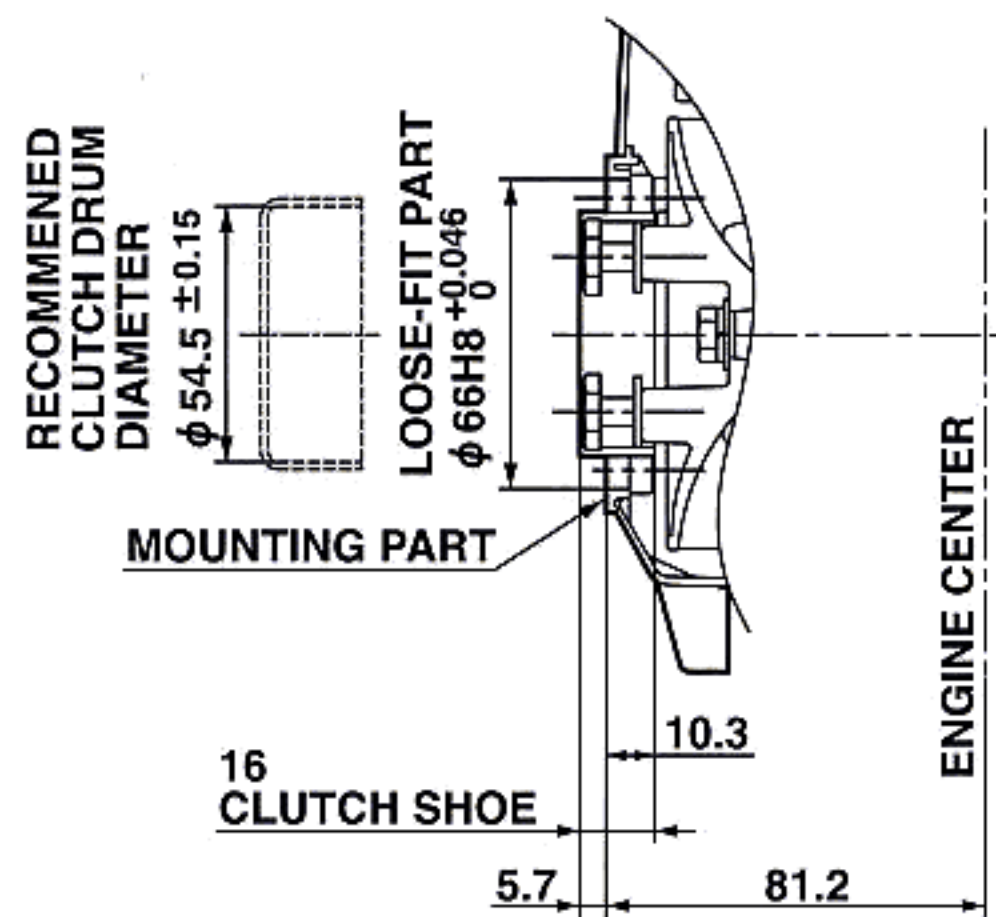
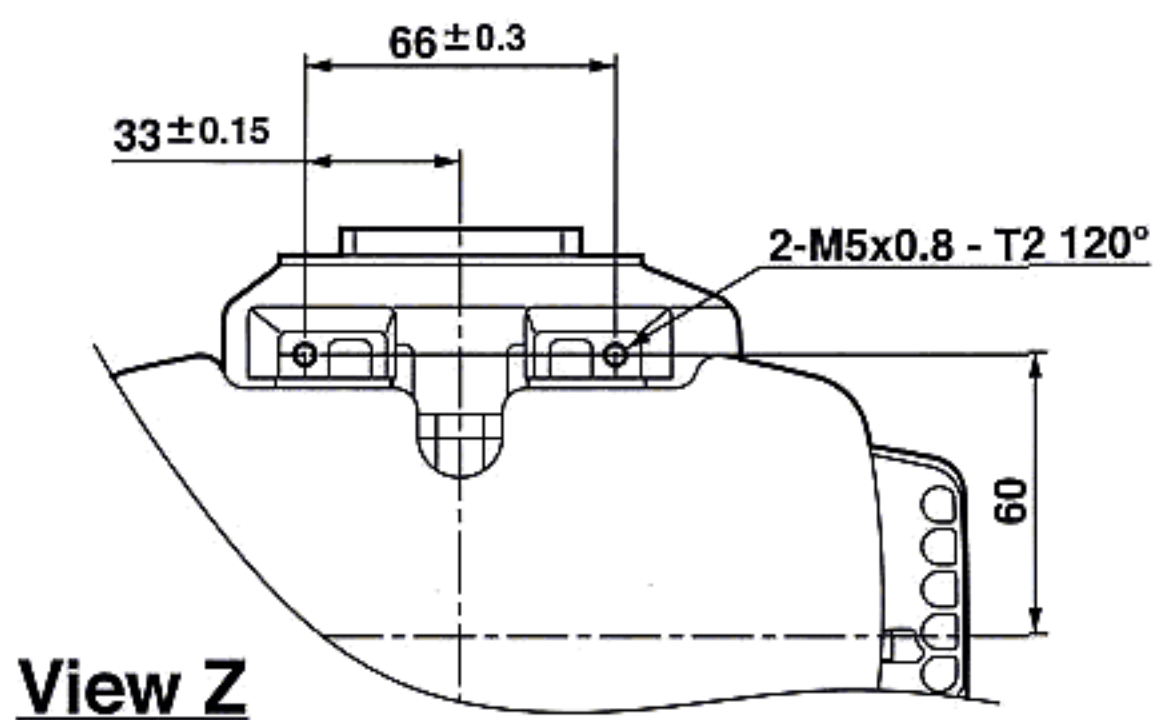
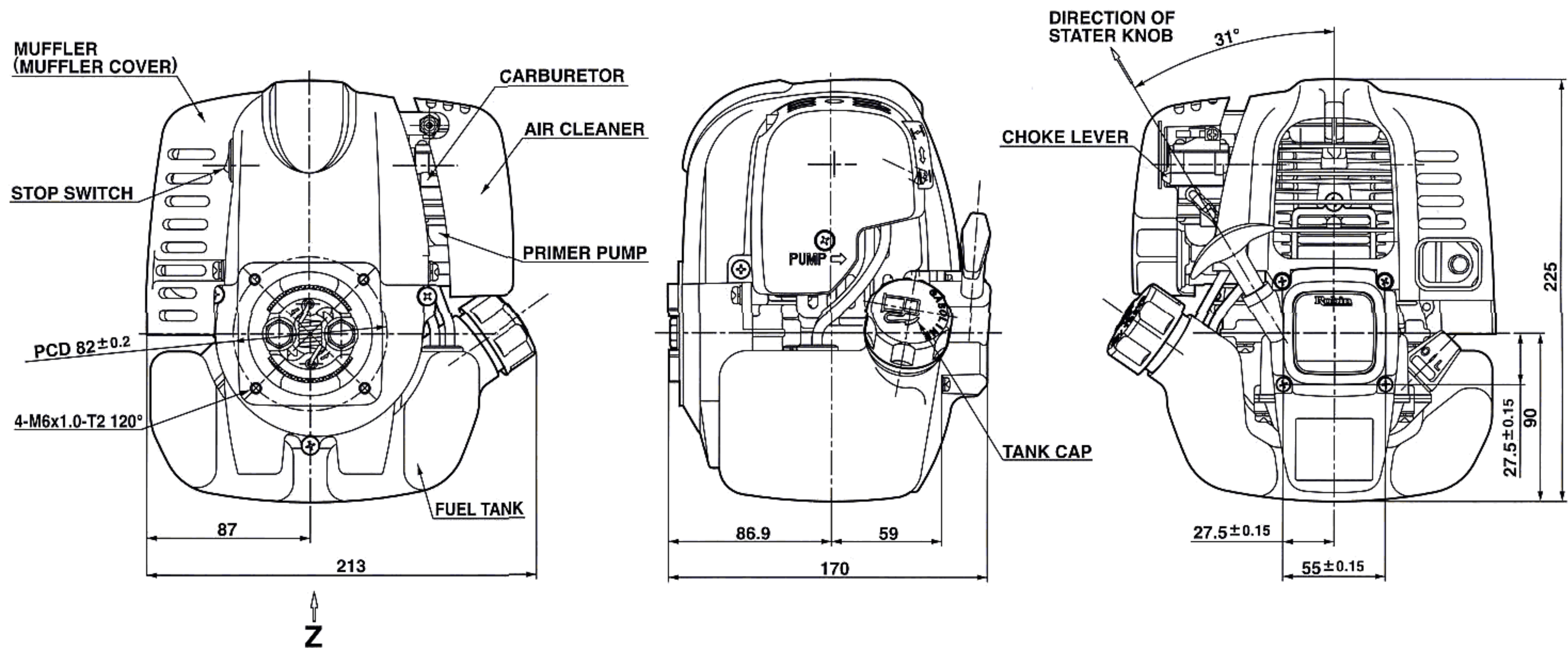
Двигатель EX35, EX40D



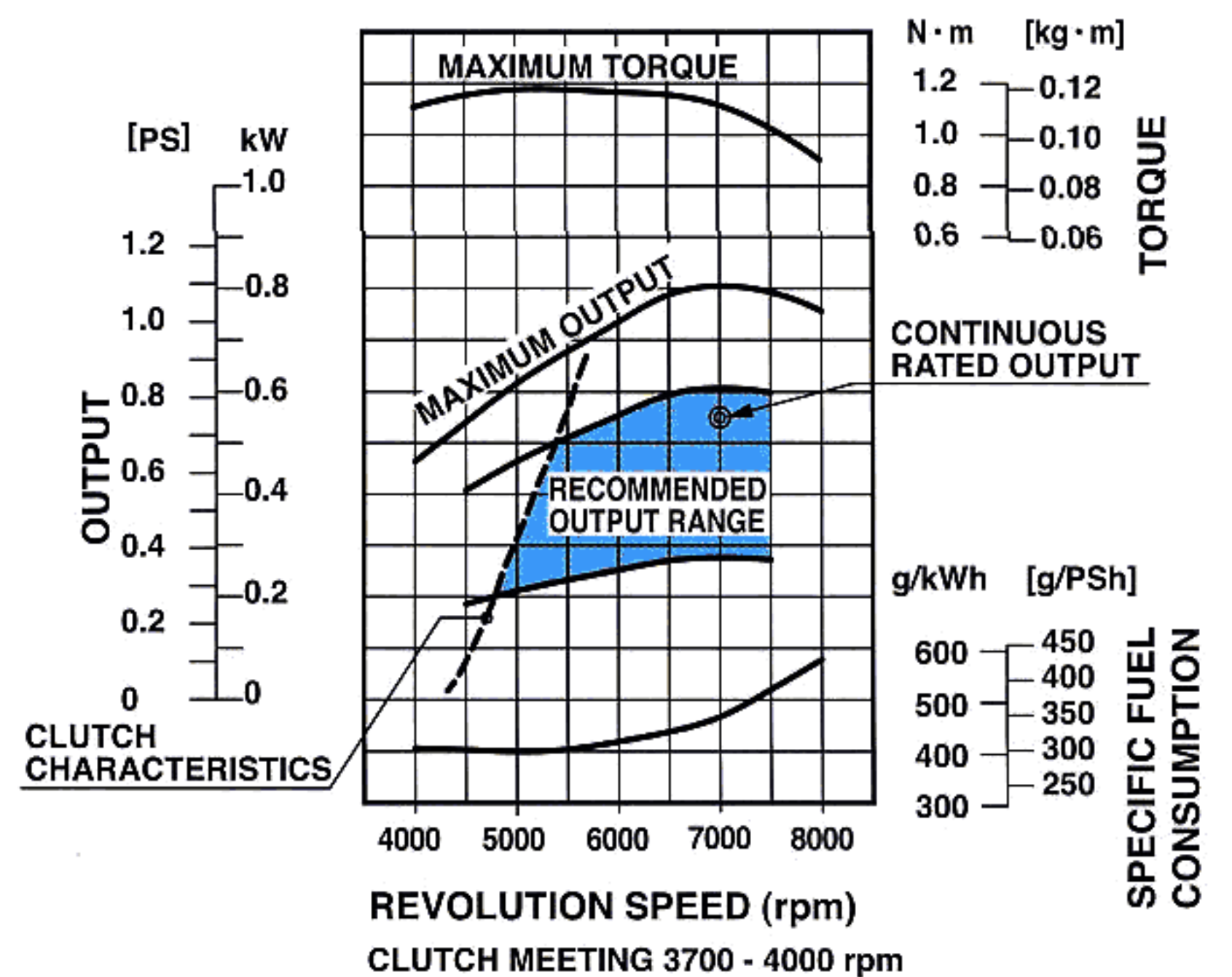
STAMP POSITION OF E/G SERIAL NUMBER VIEW Y



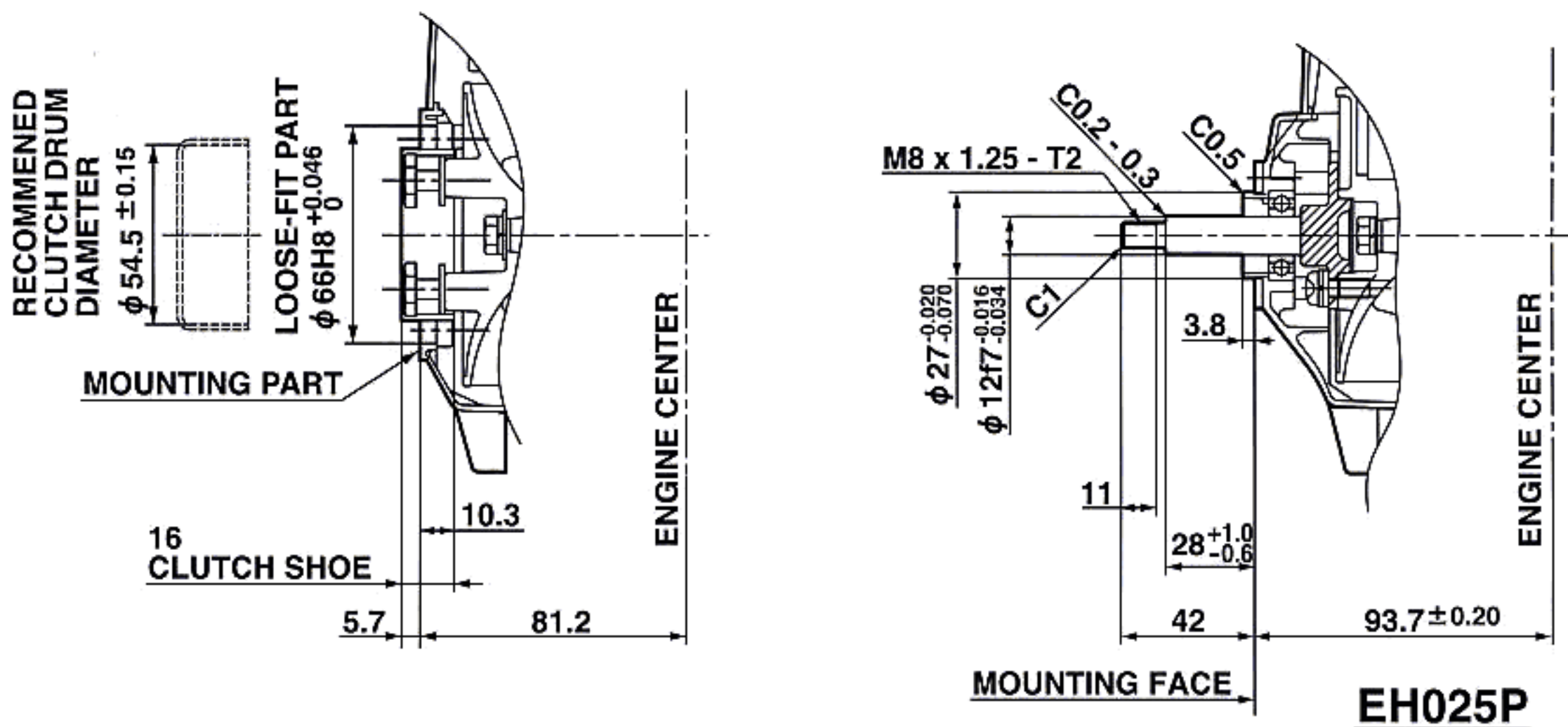
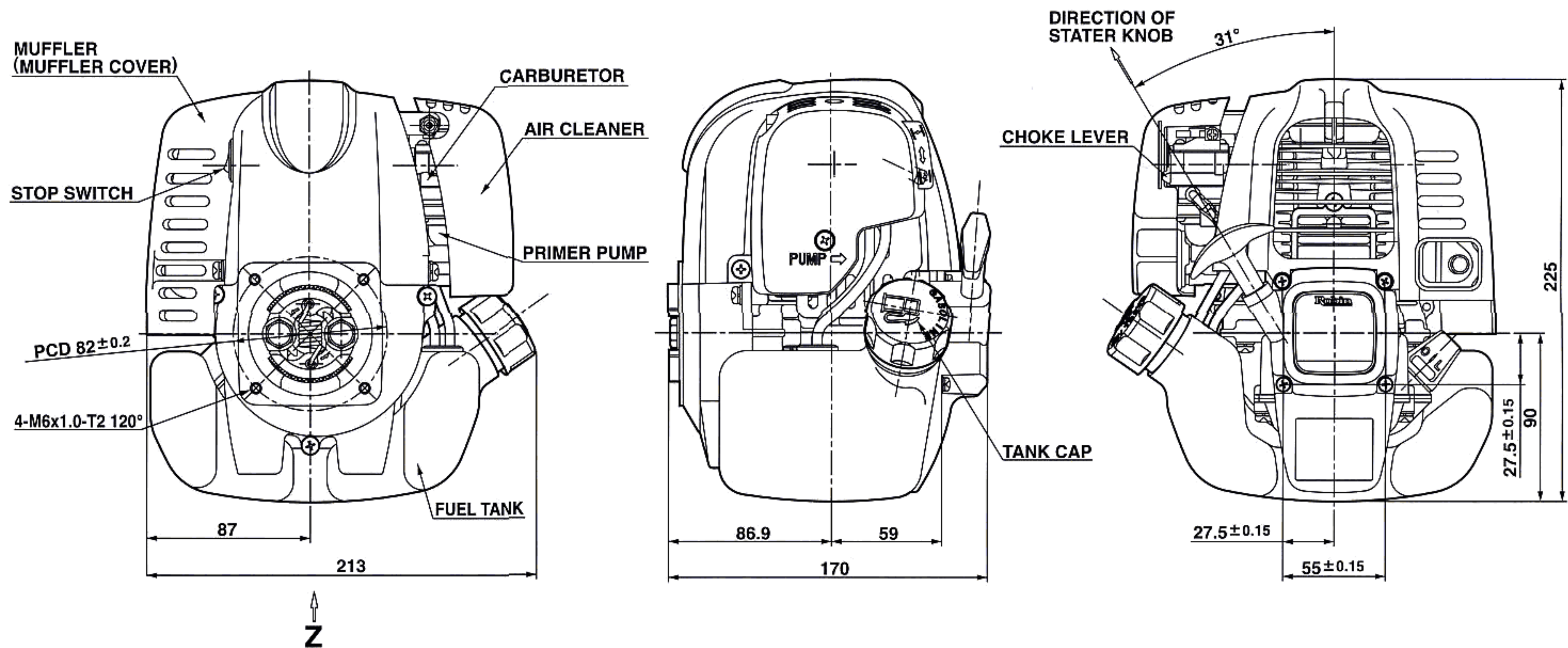
Двигатель EH025A



EH025A PERFORMANCE CURVES



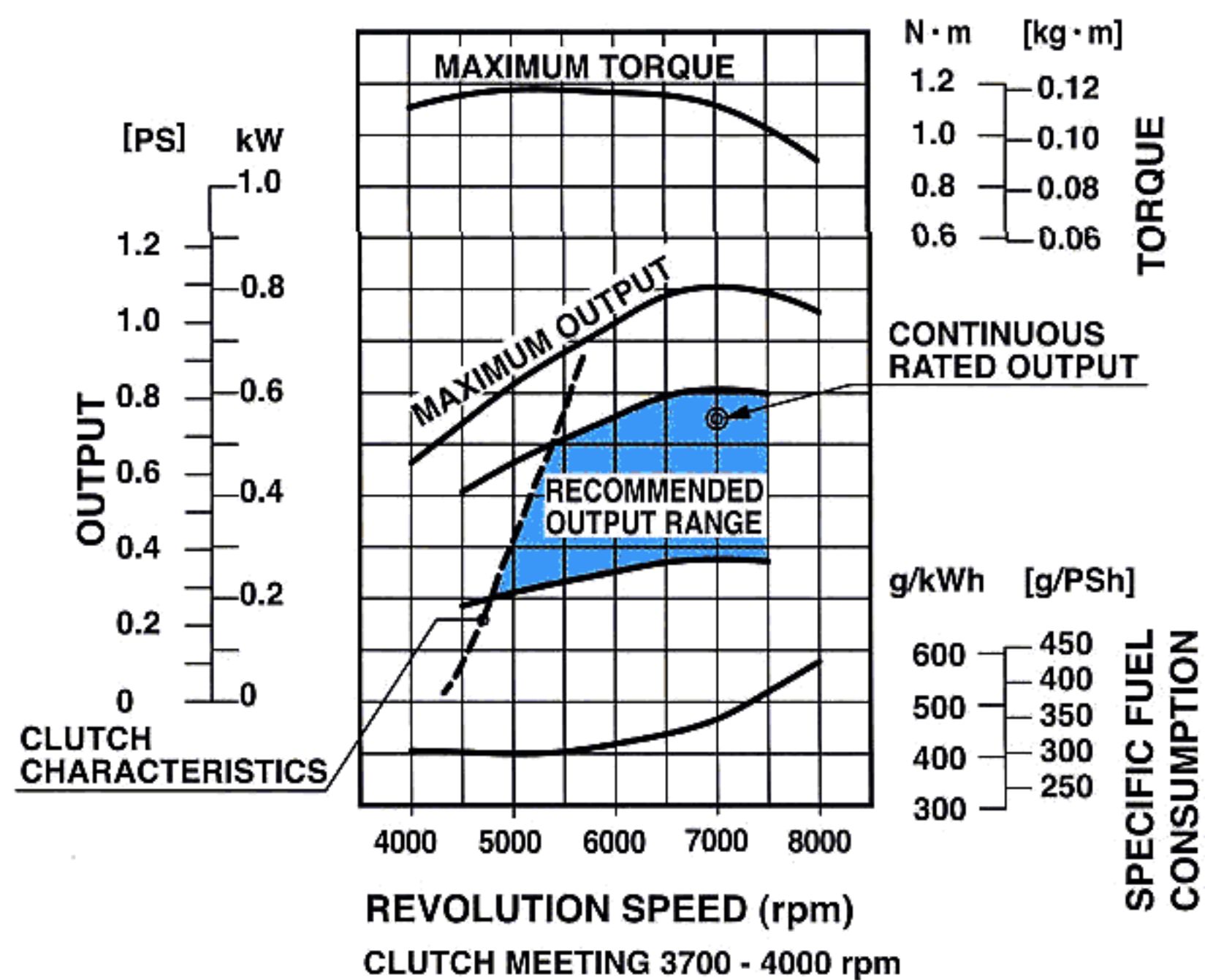
Двигатель EH025P



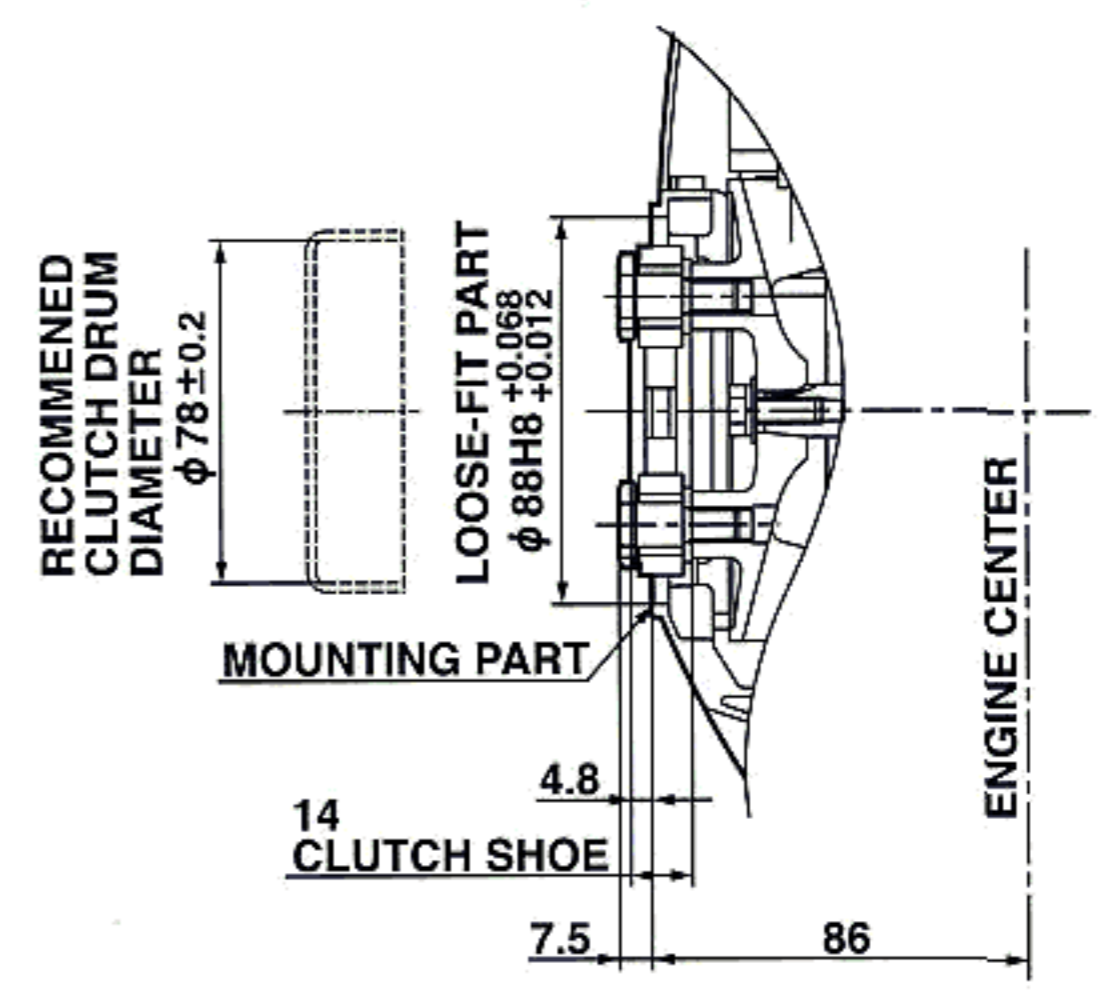
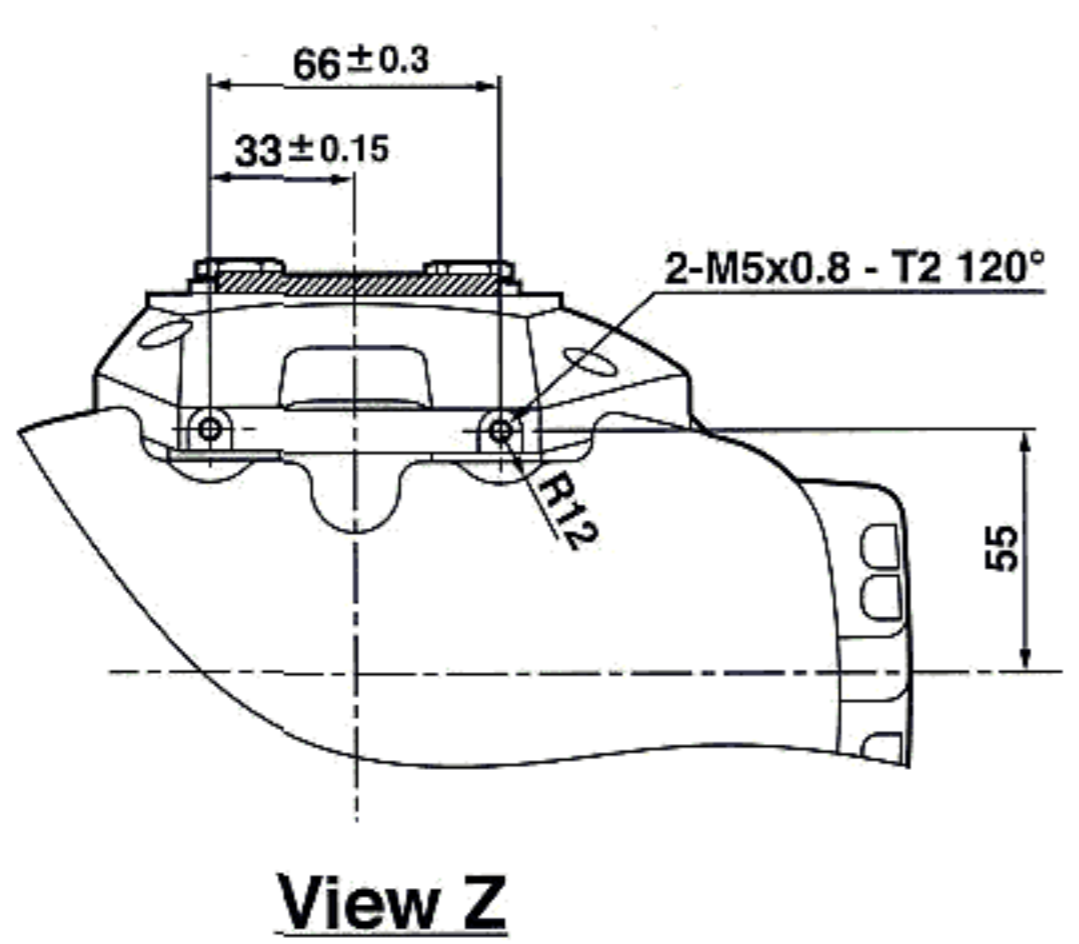
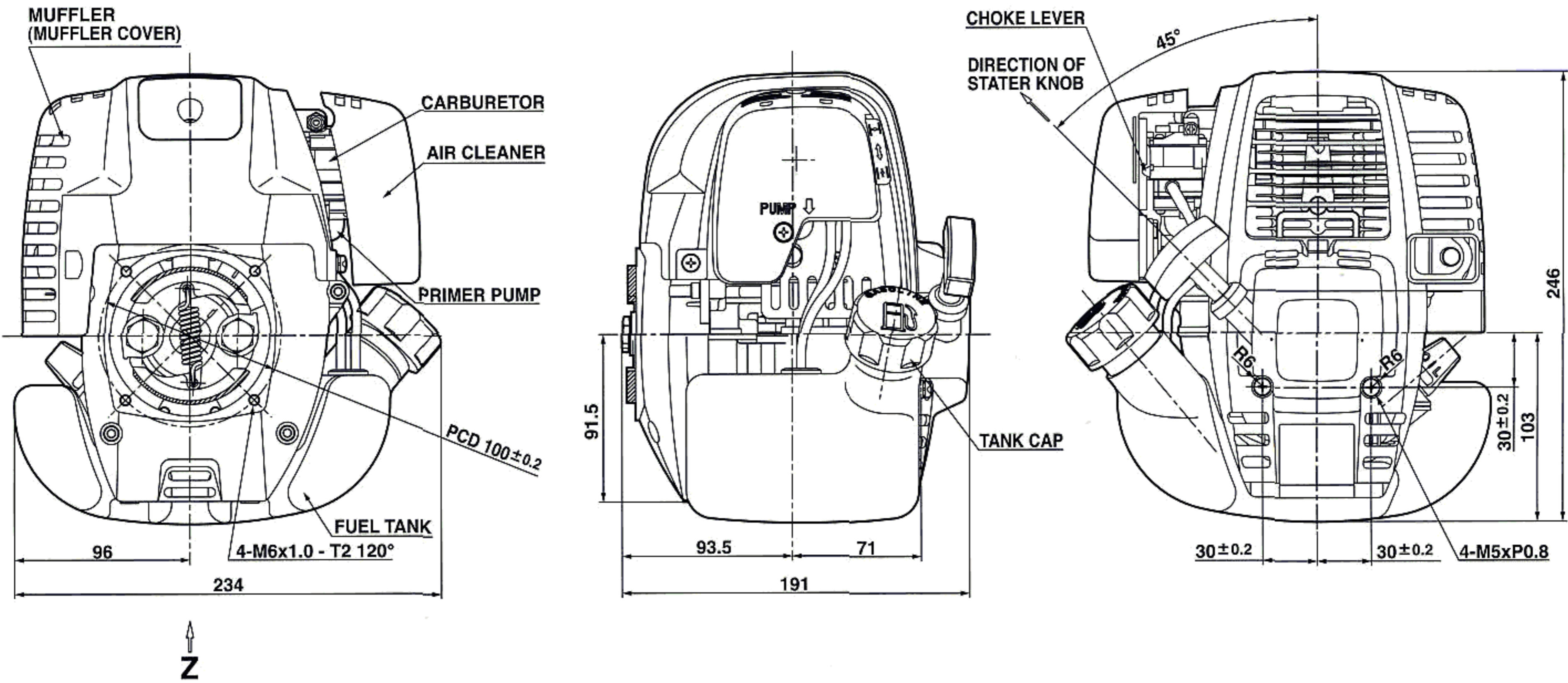
View Z



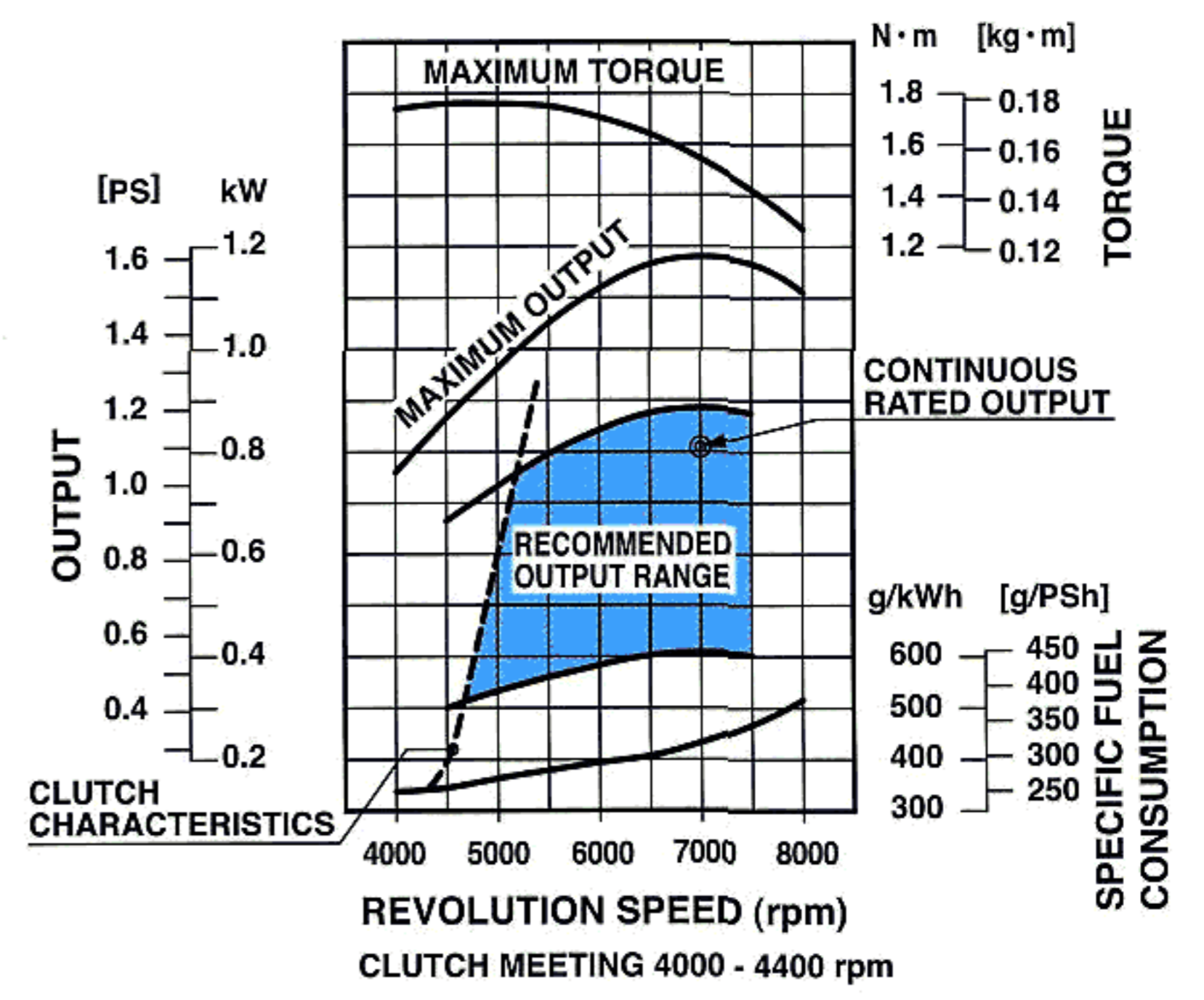
EH025A PERFORMANCE CURVES



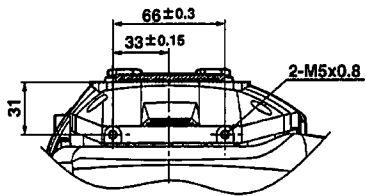
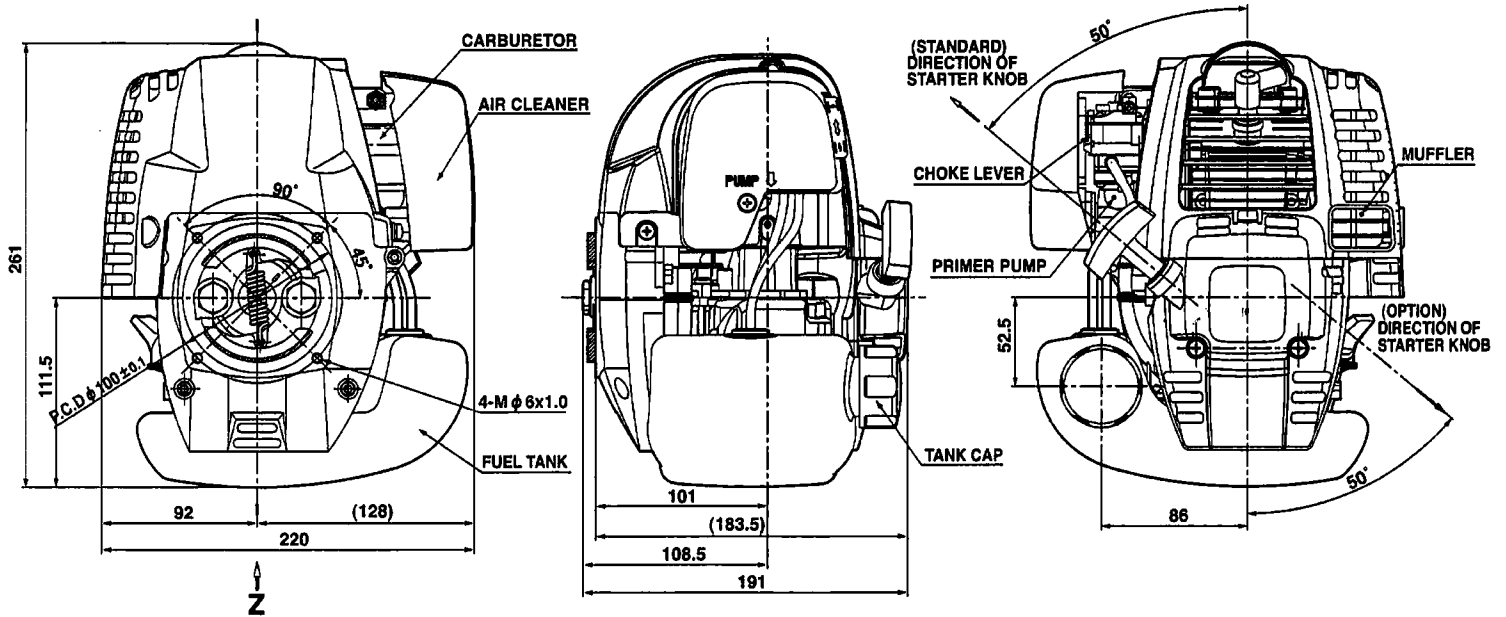
Двигатель EH035A



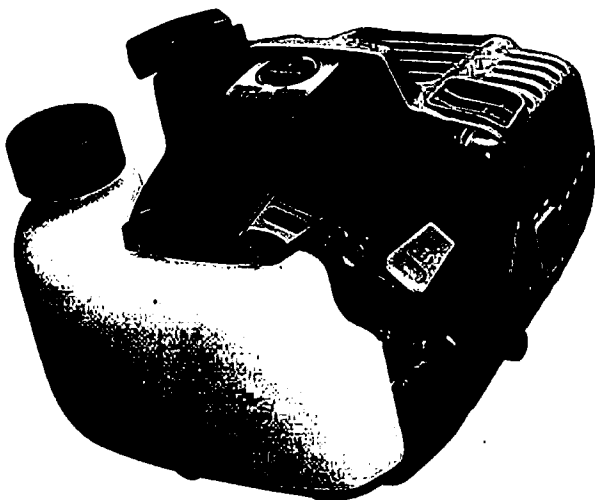
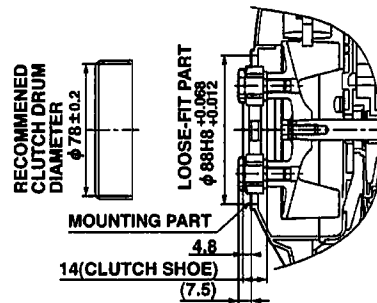
EH035A PERFORMANCE CURVES



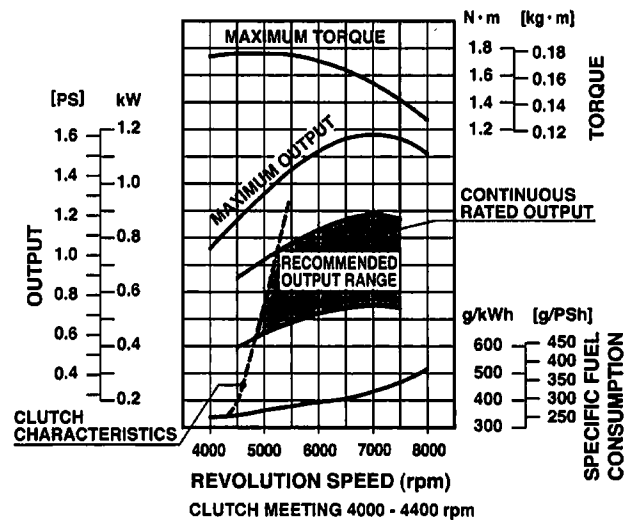
Двигатель EH035V



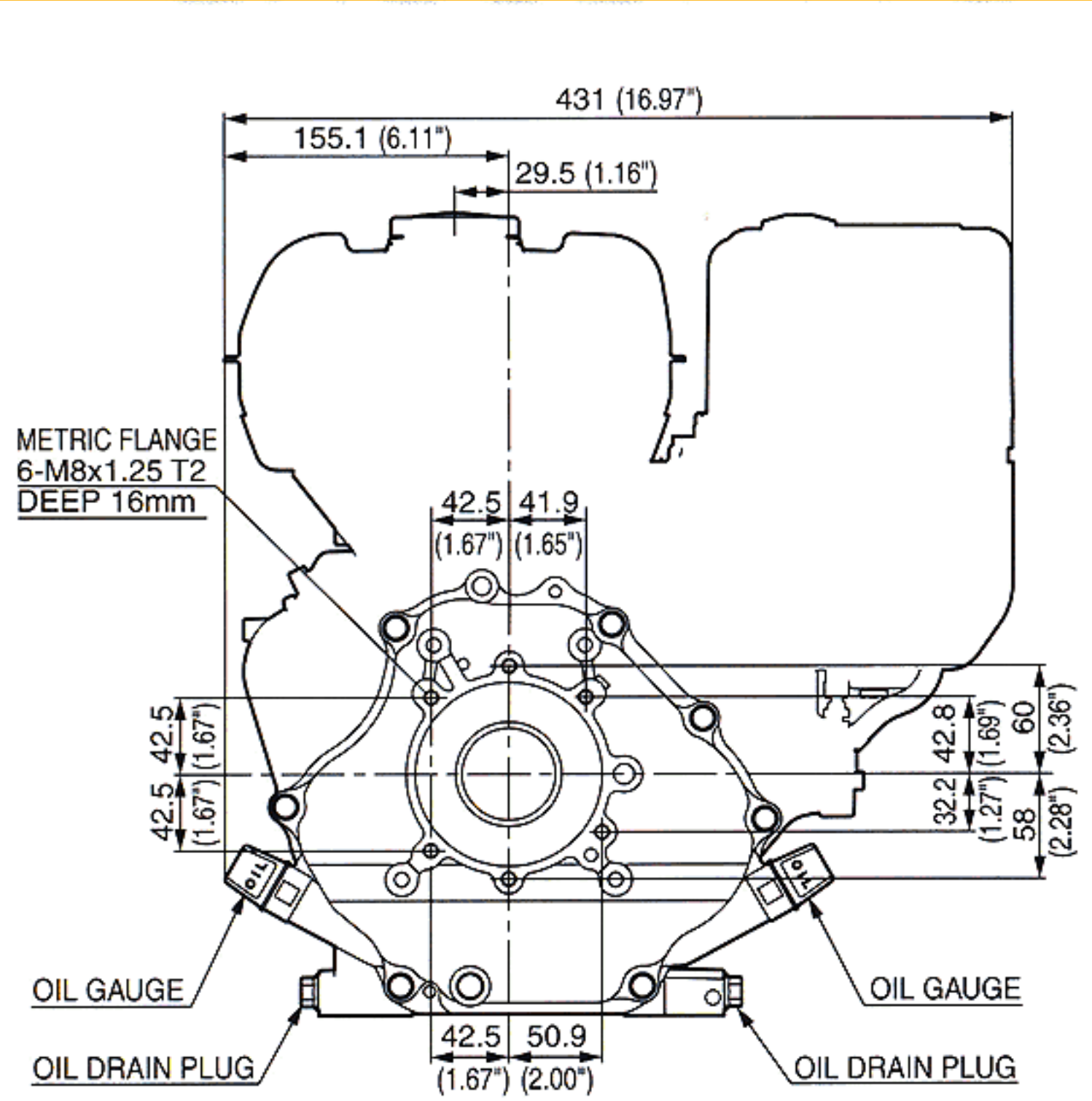
View Z



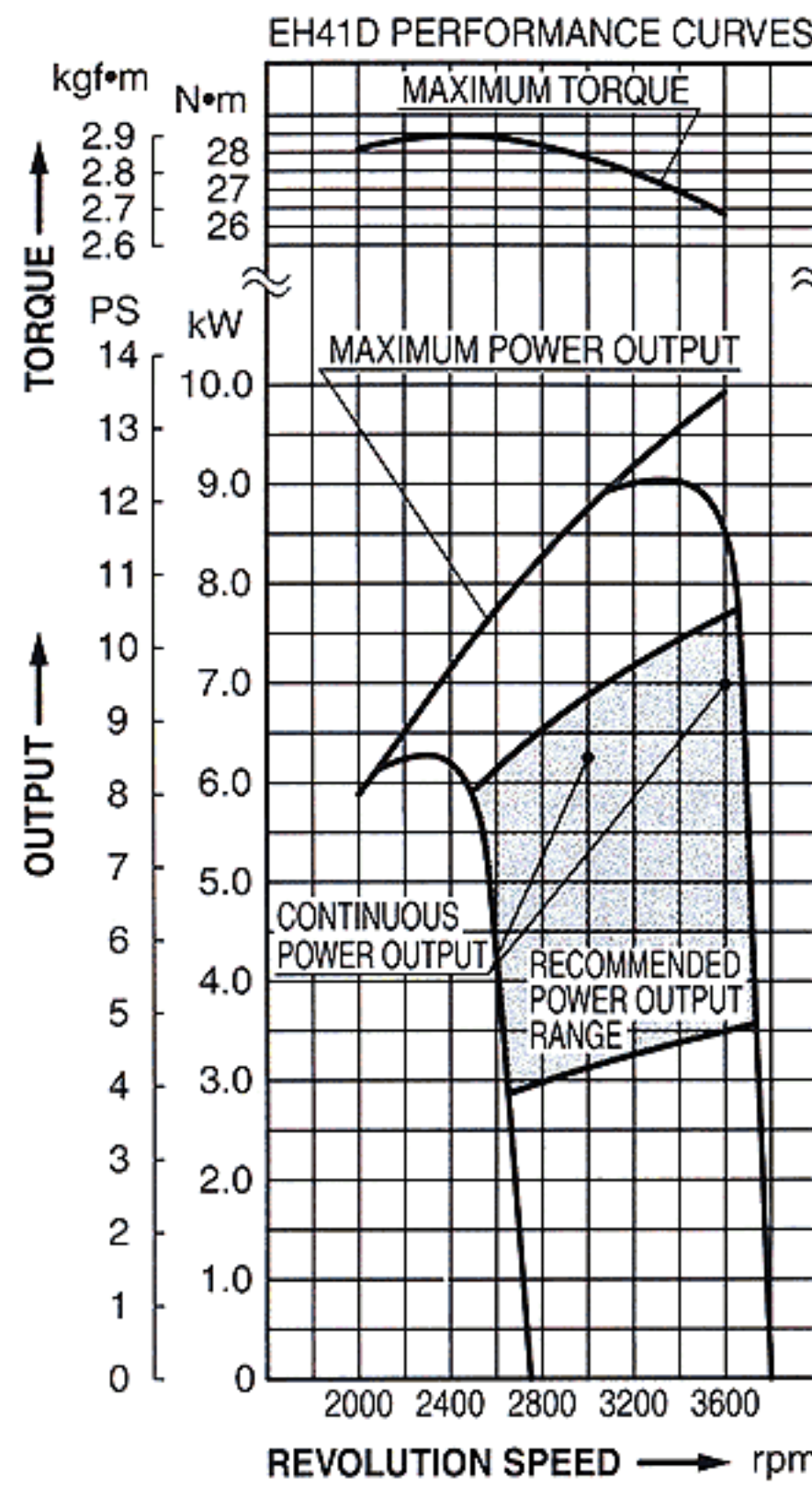
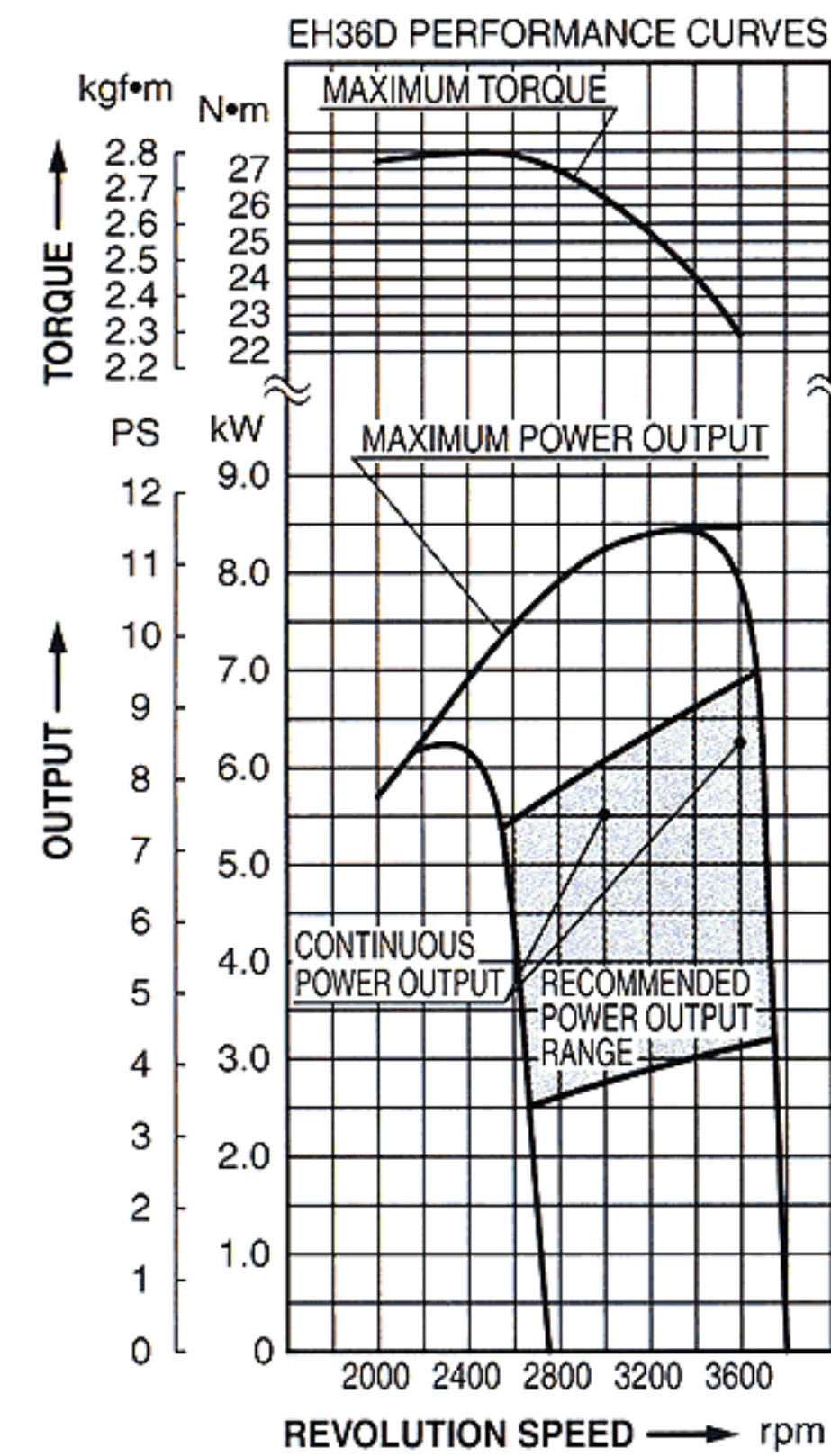
EH035V PERFORMANCE CURVES



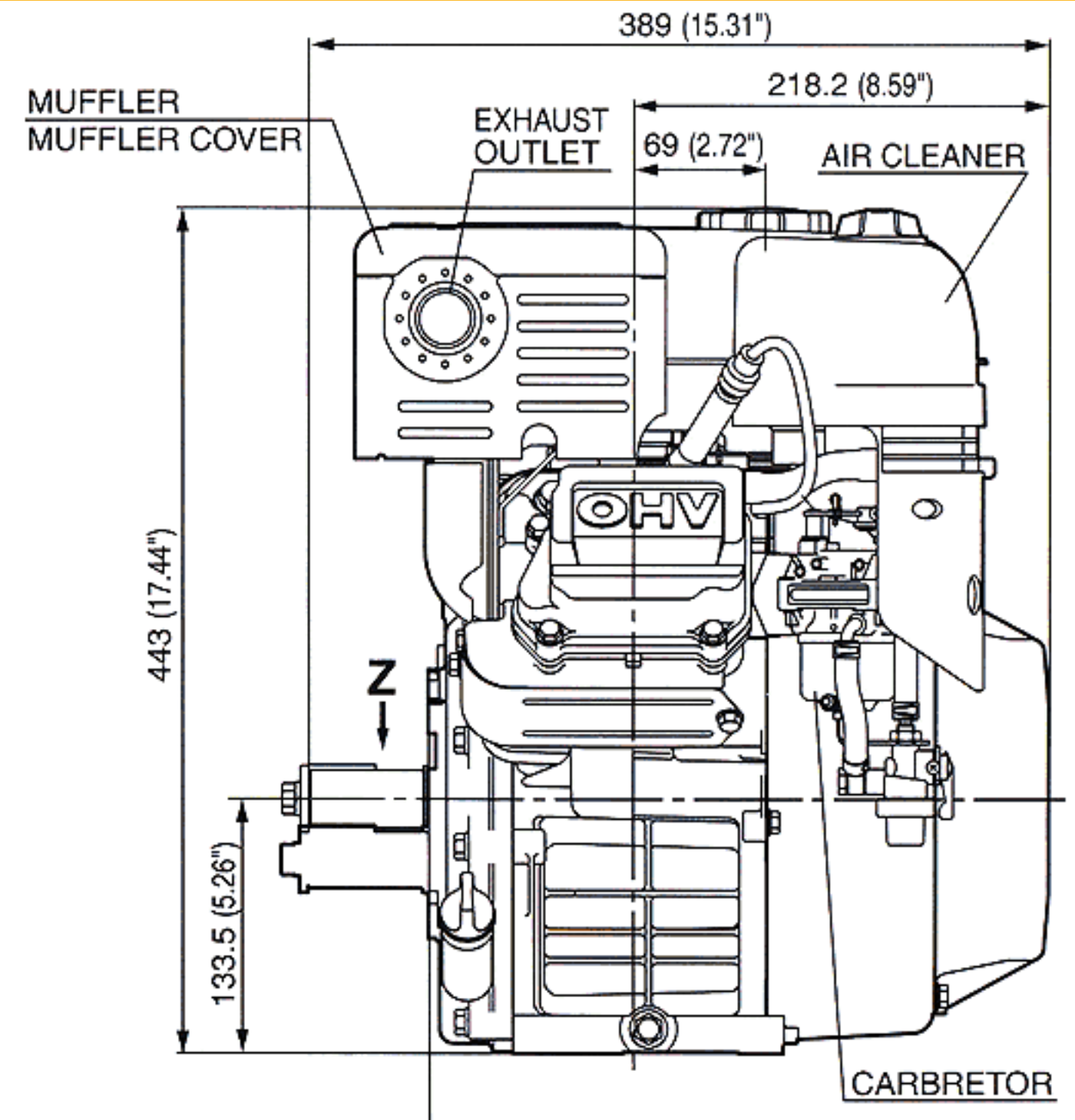
Двигатели EH36D, EH41D



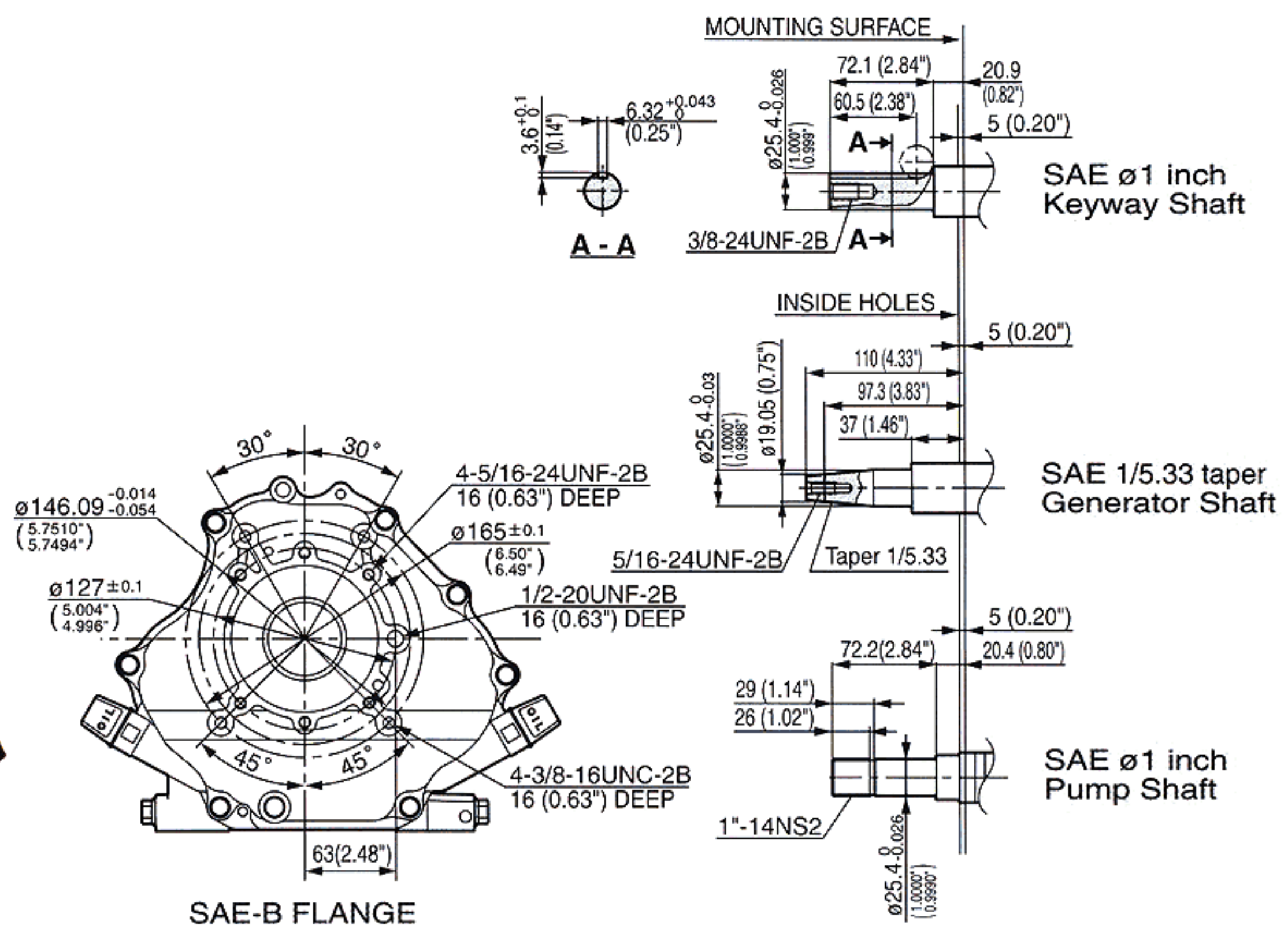
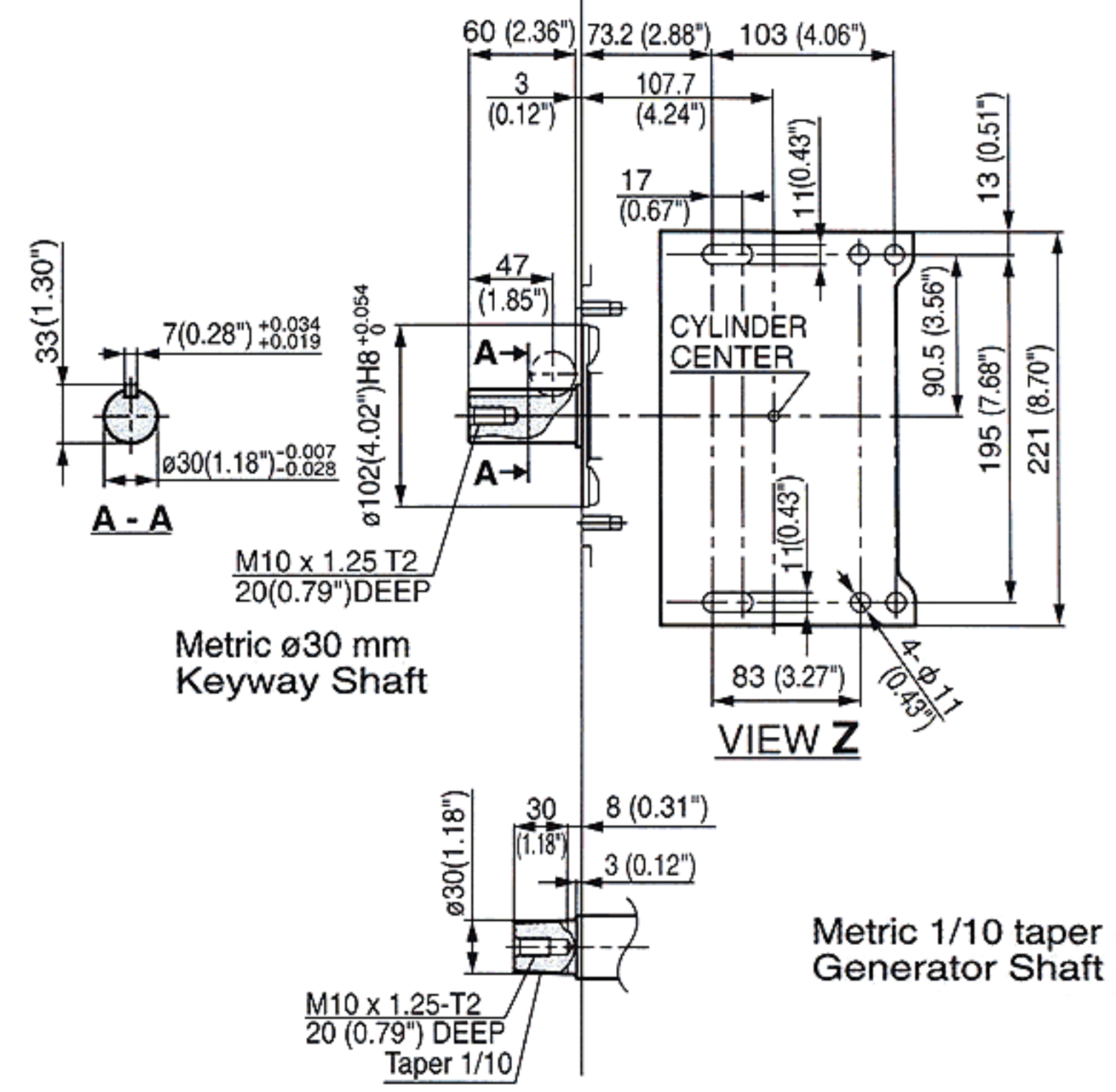
METRIC FLANGE



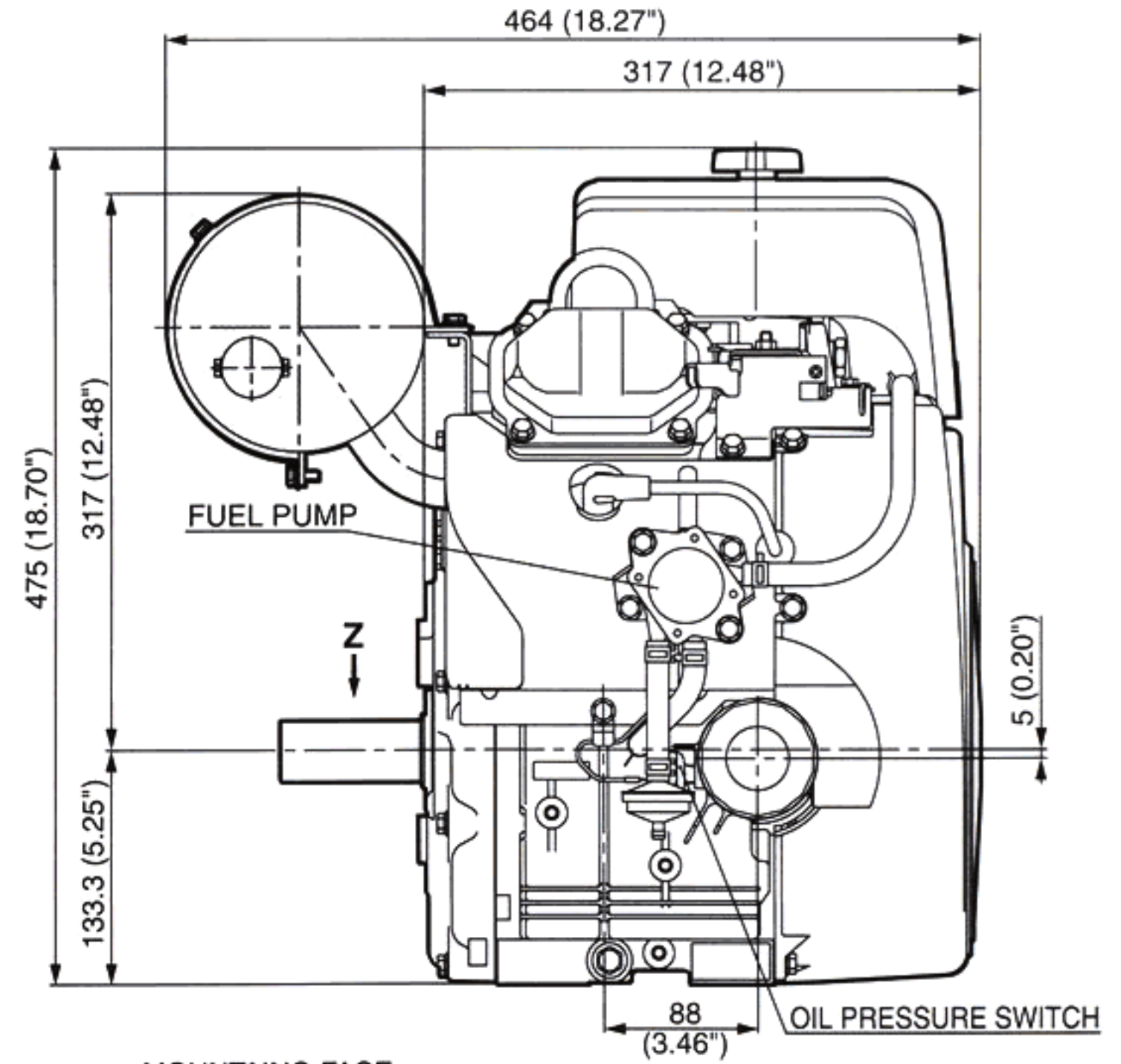
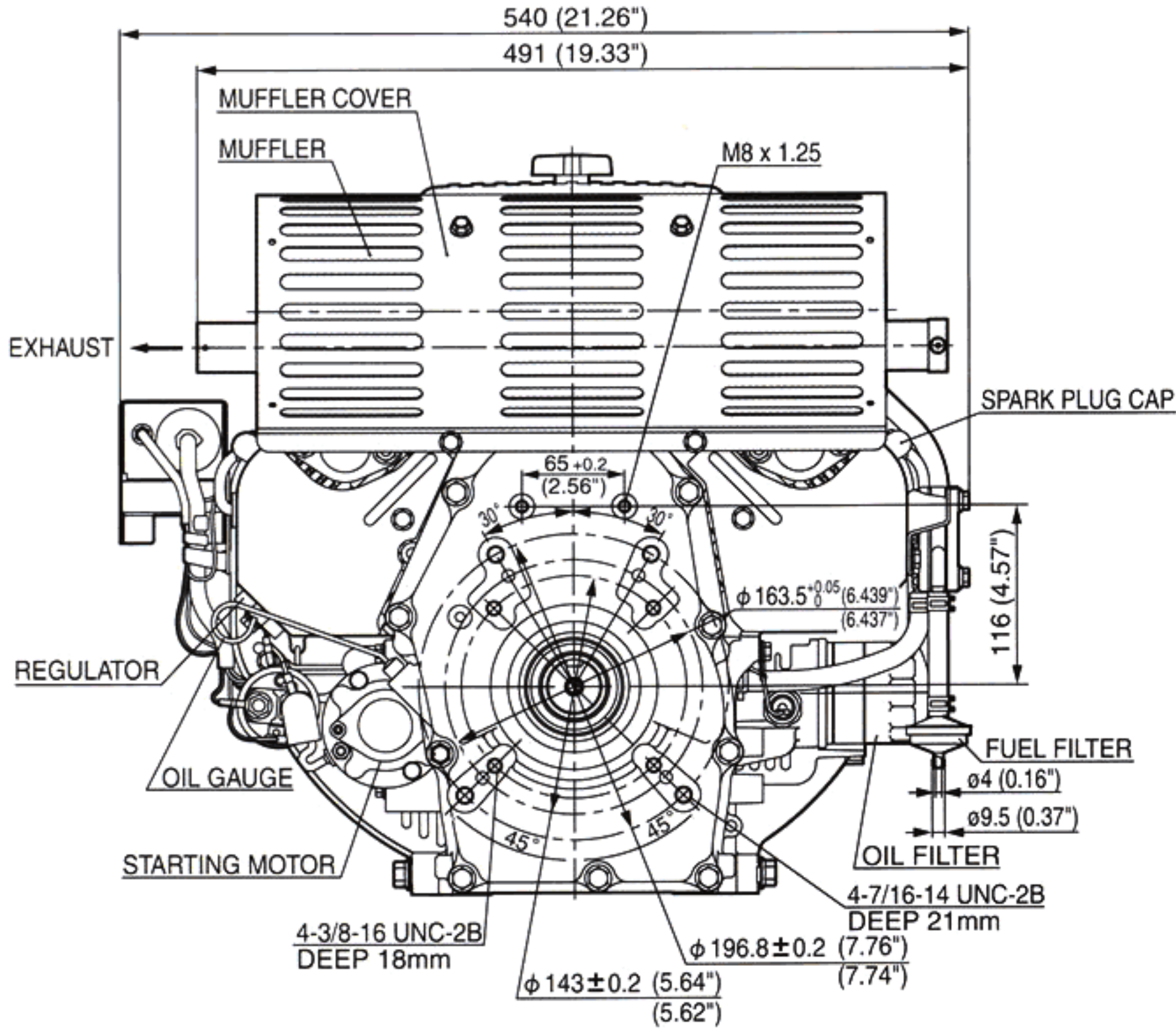
Power curves are corrected to standard sea level atmospheric condition and are developed from test engines equipped with standard air cleaner and muffler.



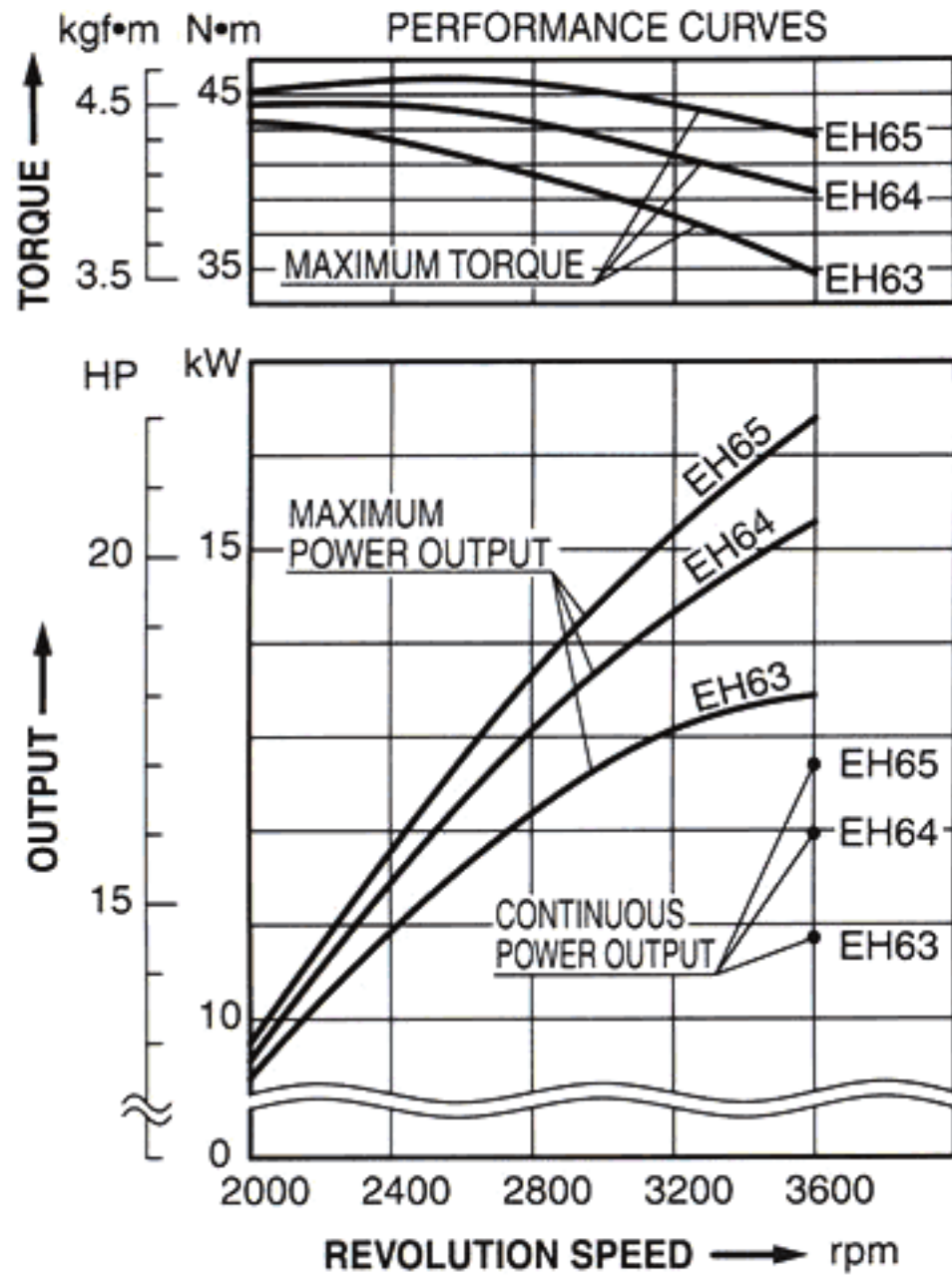
MOUNTING FACE



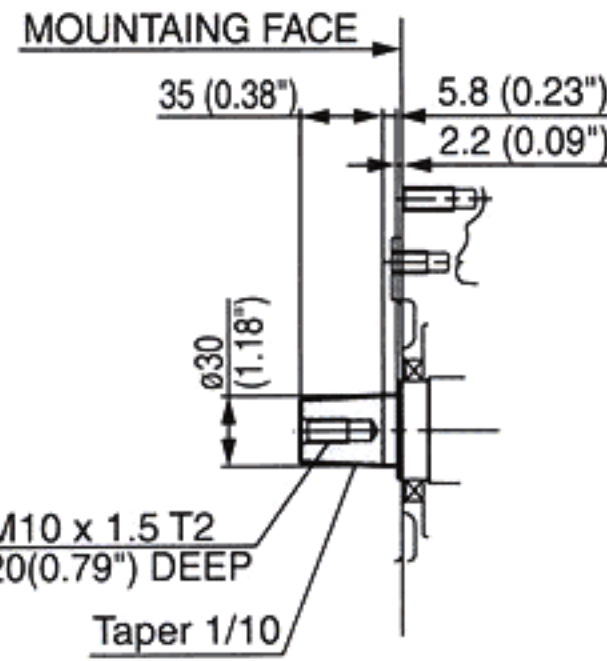
Двигатели EH63DS



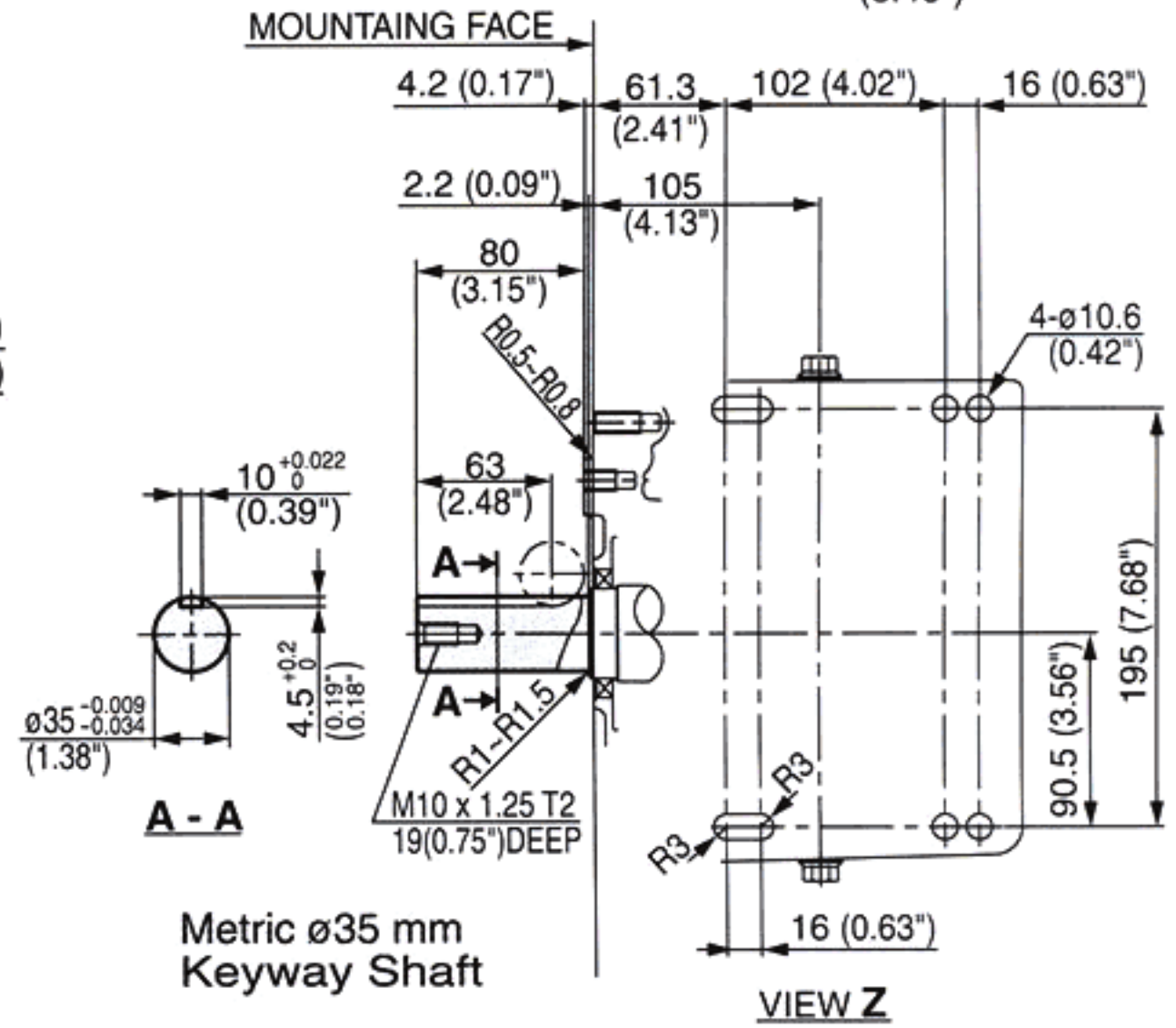
METRIC FLANGE



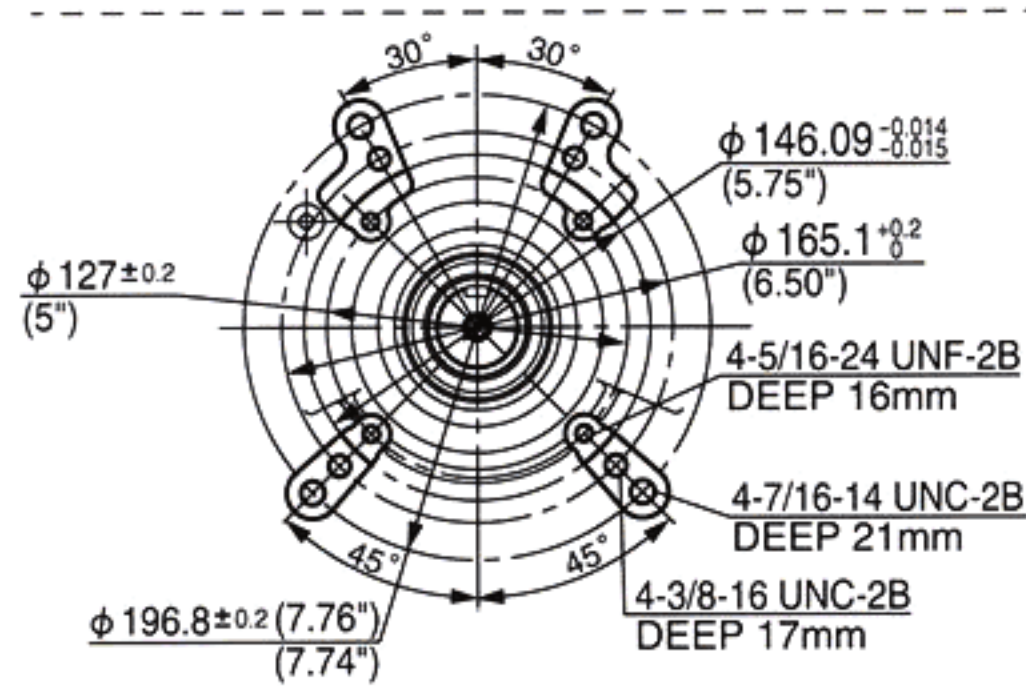
Power curves are corrected to standard sea level atmospheric condition and are developed from test engines equipped with standard air cleaner and muffler.



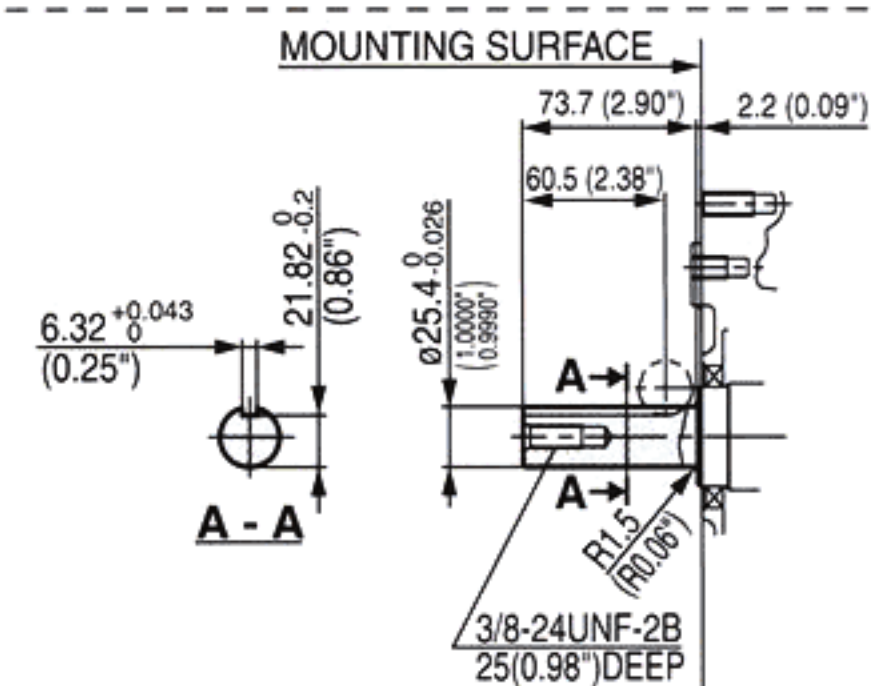
Metric 1/10 taper Generator Shaft



Metric ø35 mm Keyway Shaft



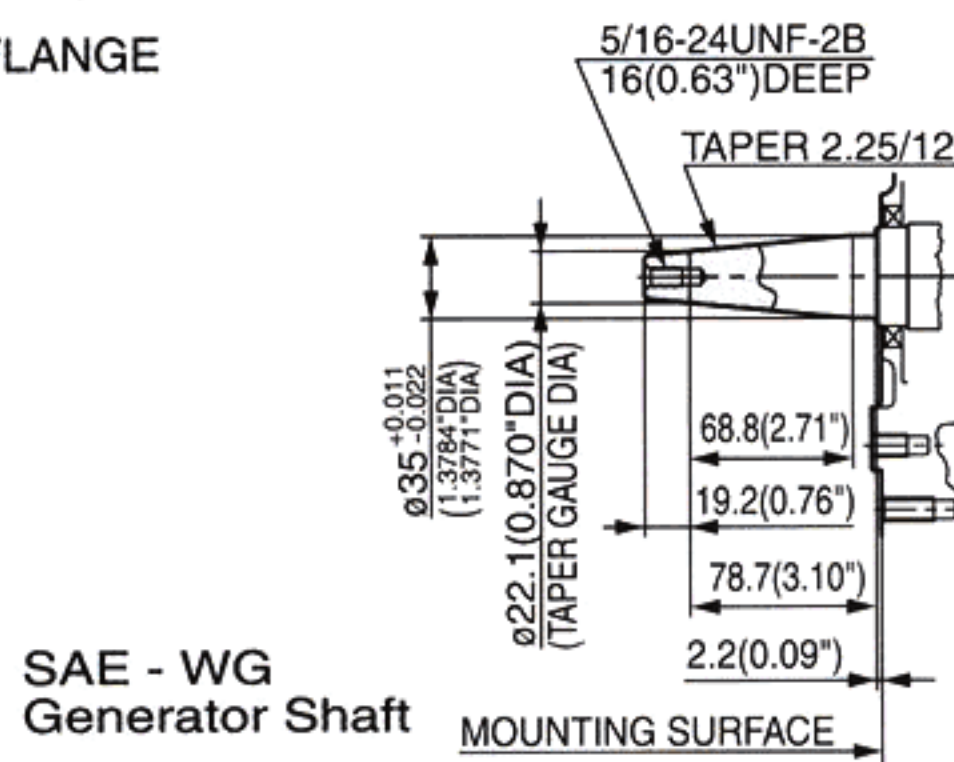
SAE-B FLANGE



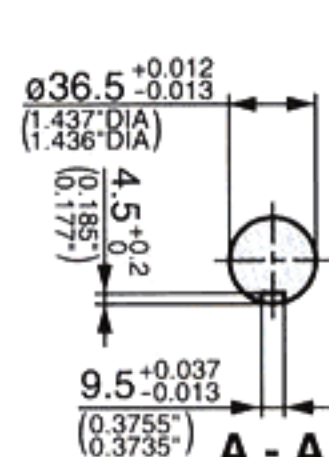
SAE ø1 inch Keyway Shaft



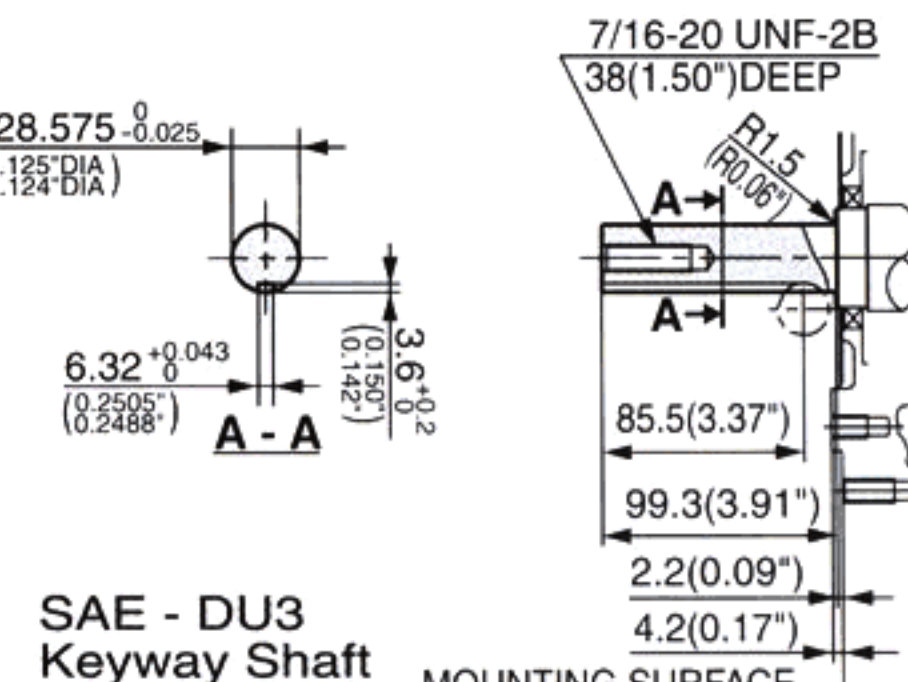
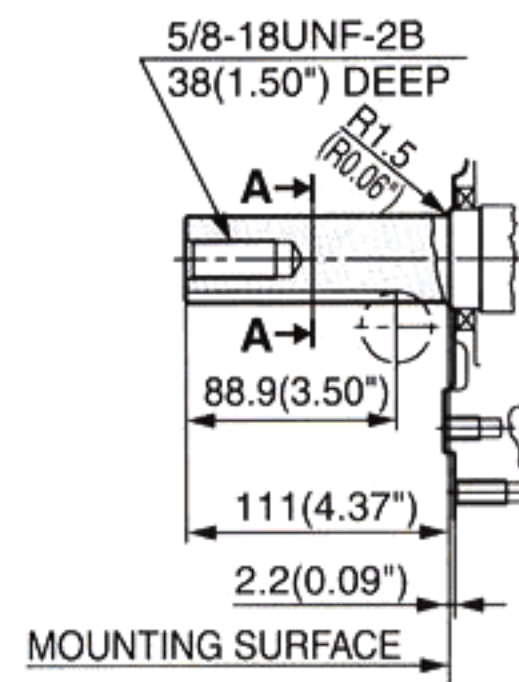
*Muffler as option



SAE - WG Generator Shaft



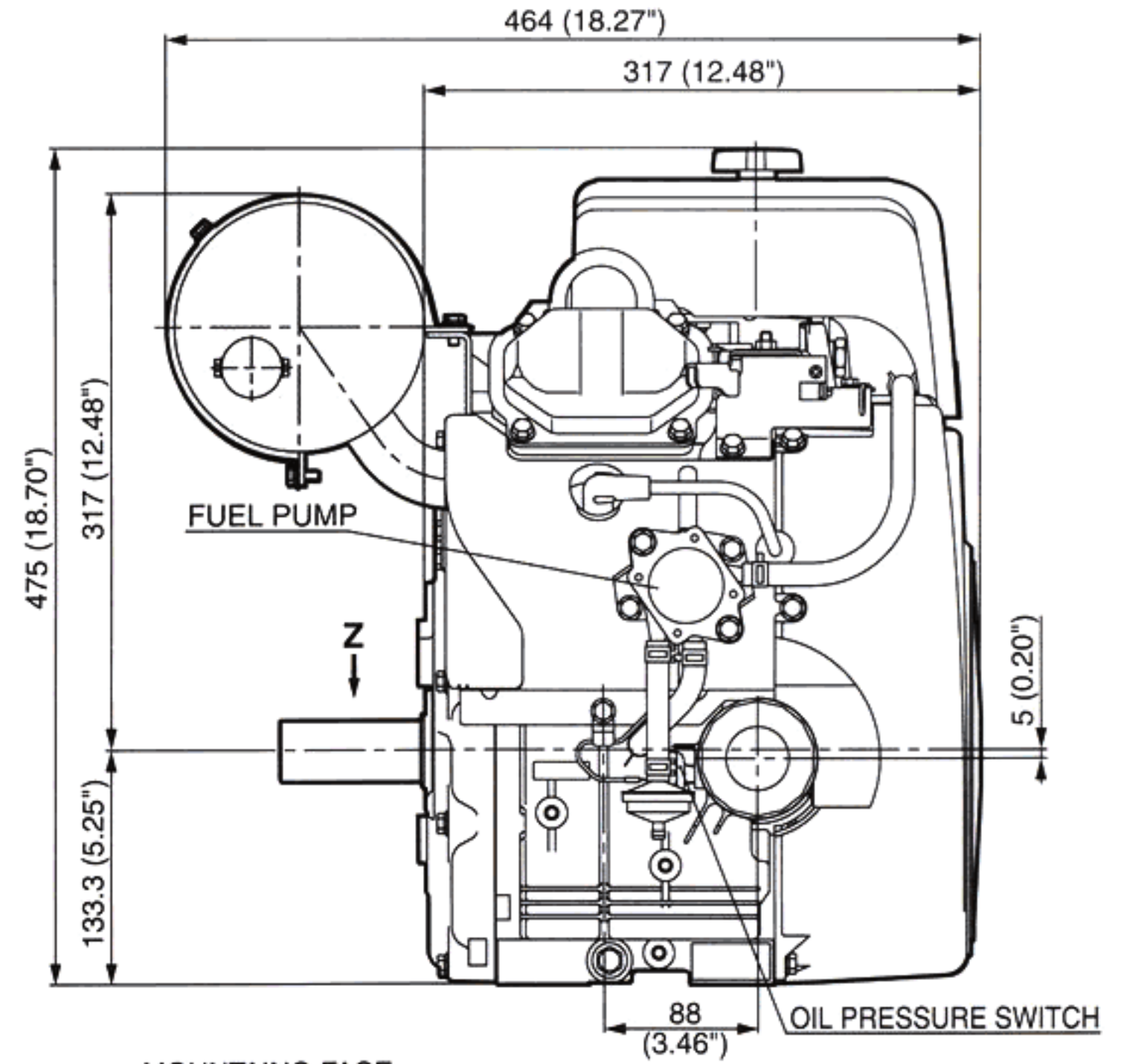
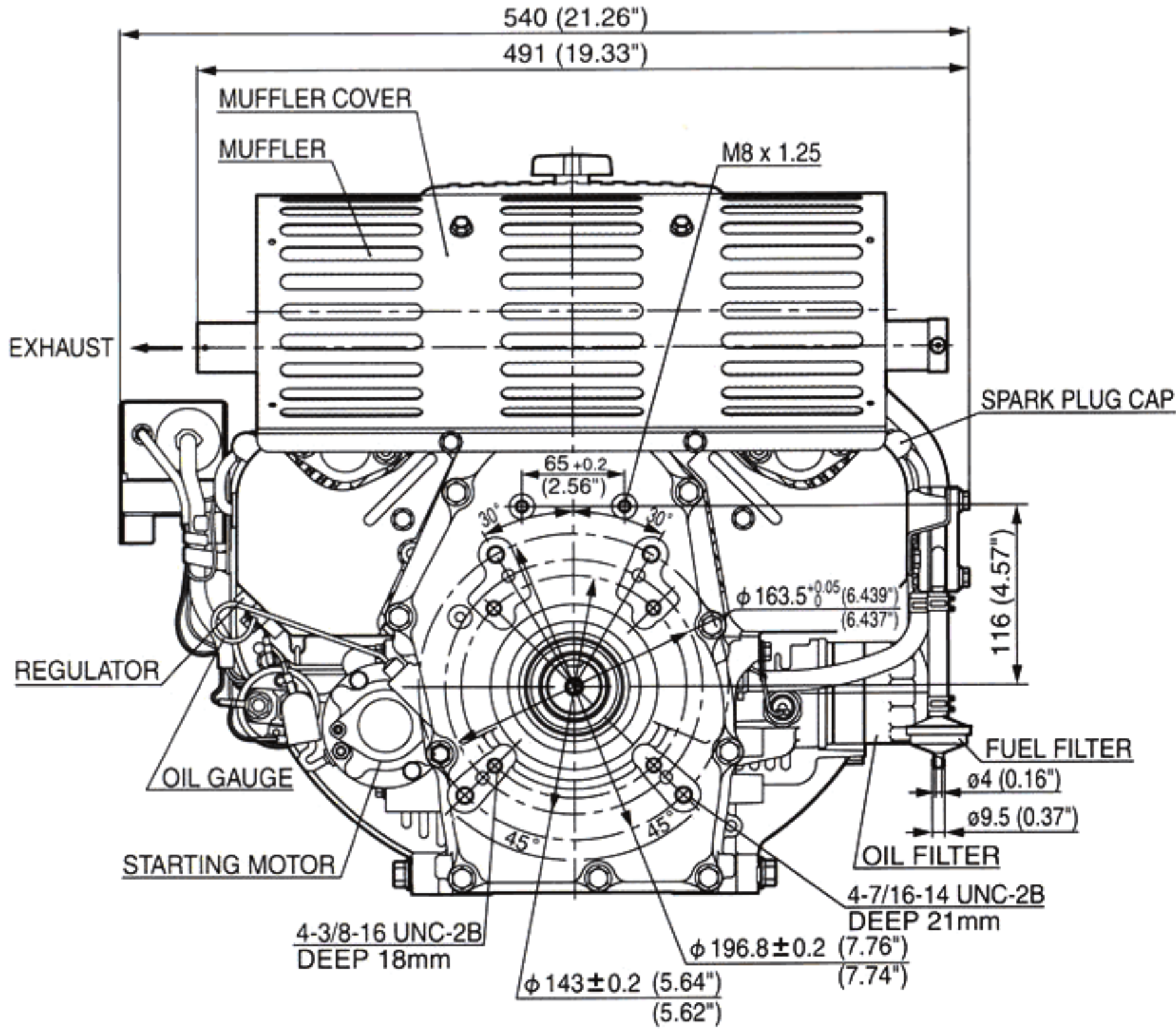
SAE - DU2 Keyway Shaft



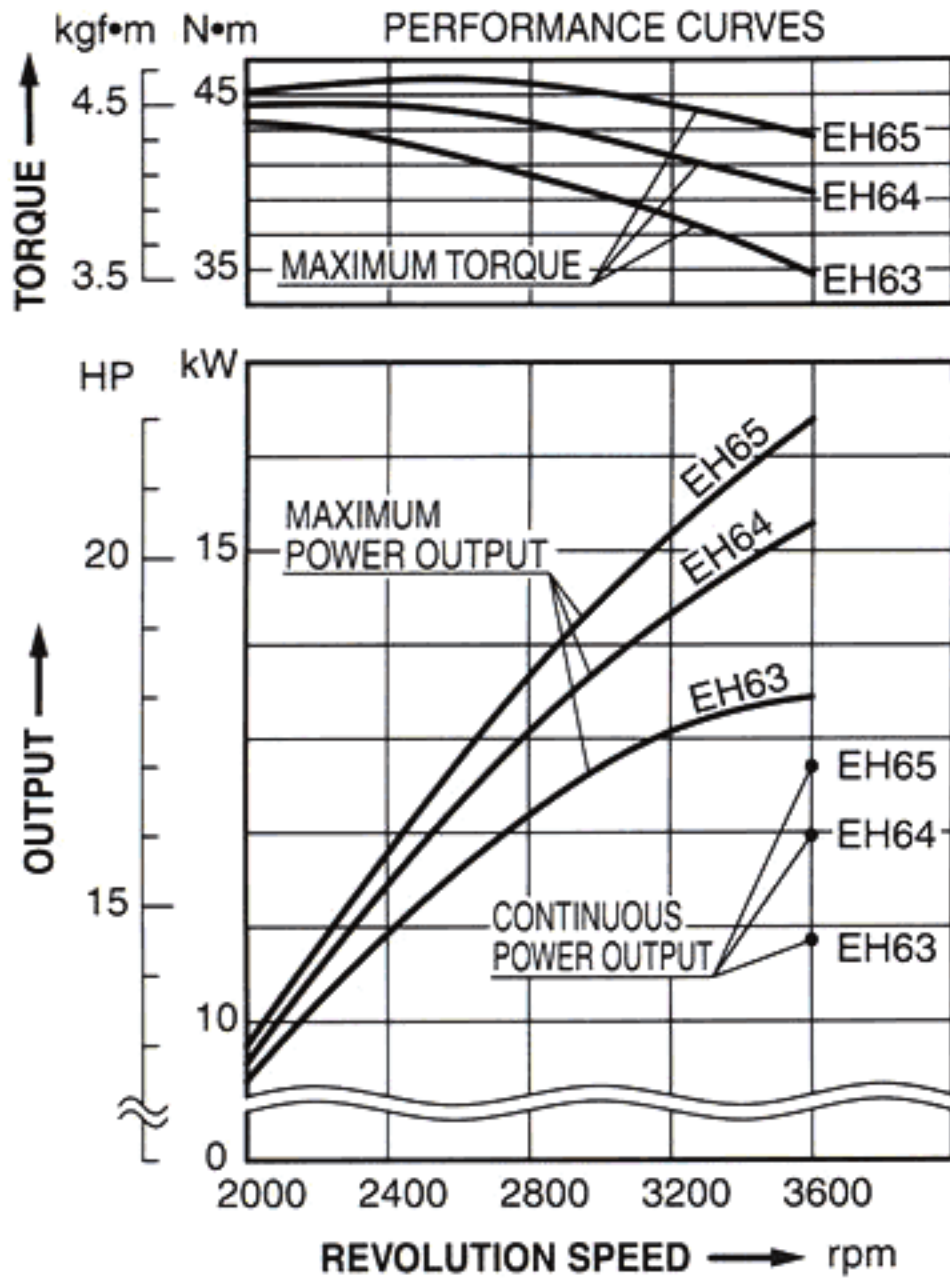
SAE - DU3 Keyway Shaft

SAE ø1 inch Pump Shaft

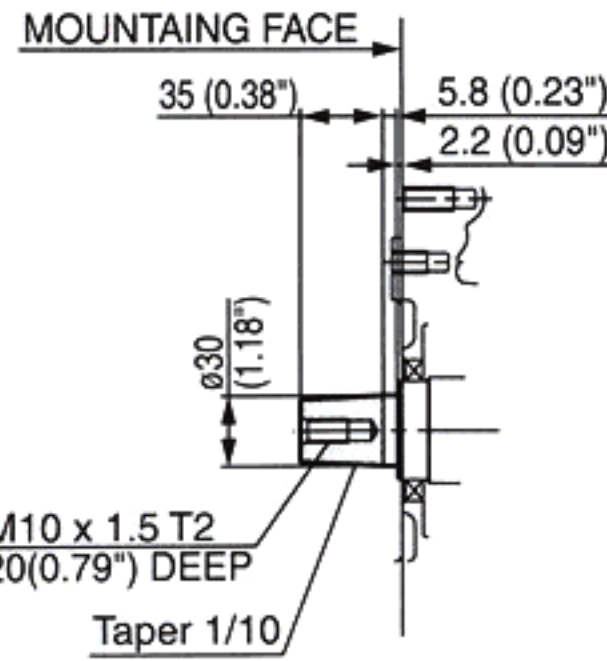
Двигатели EH64DS



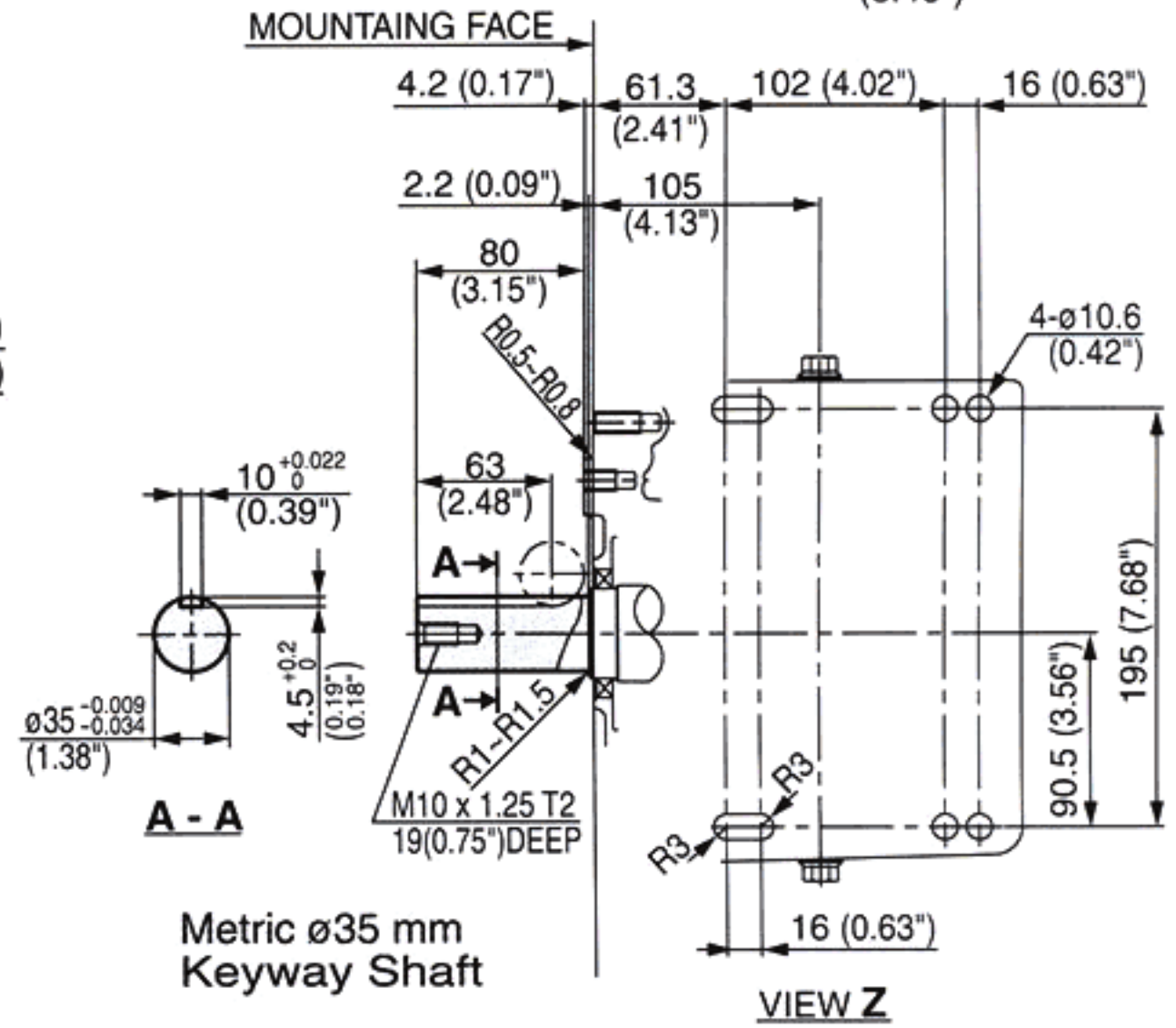
METRIC FLANGE



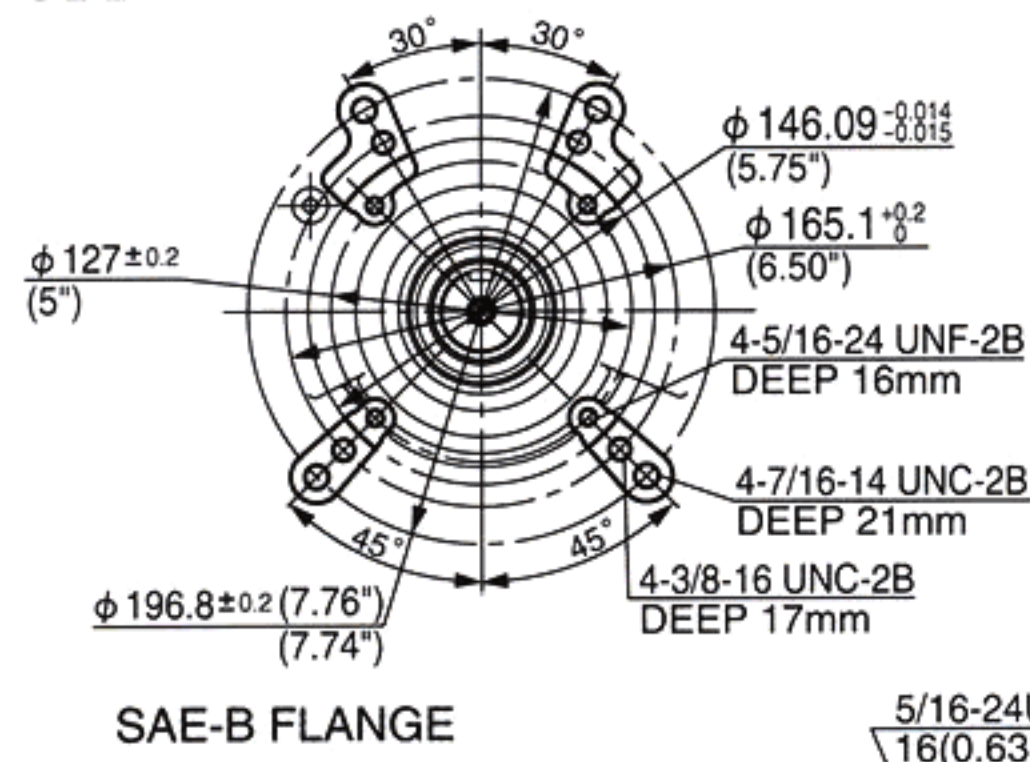
Power curves are corrected to standard sea level atmospheric condition and are developed from test engines equipped with standard air cleaner and muffler.



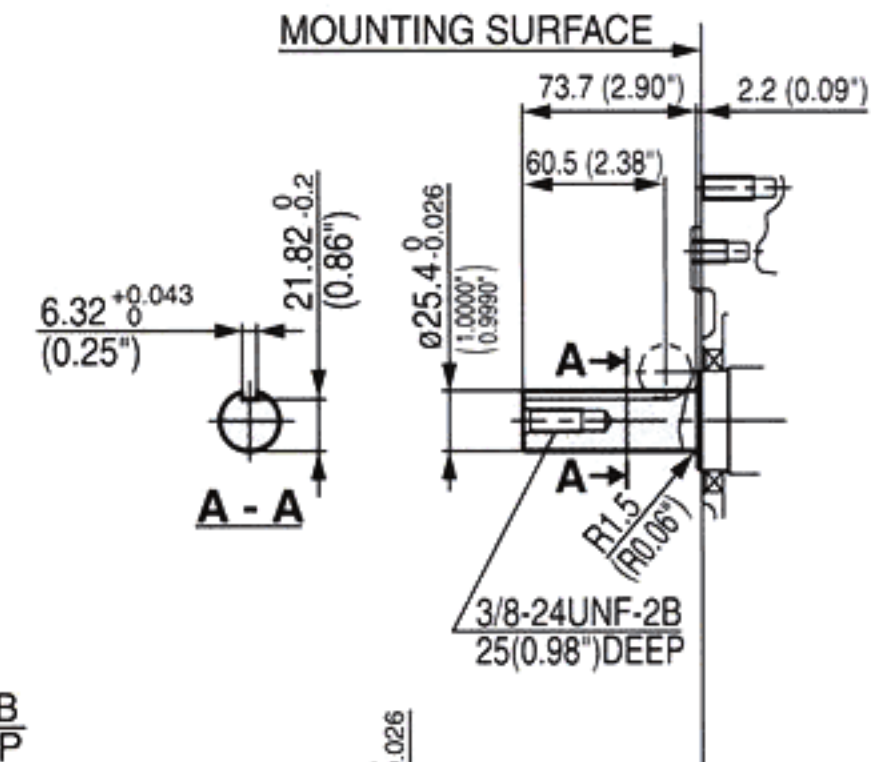
Metric 1/10 taper Generator Shaft



Metric ø35 mm Keyway Shaft



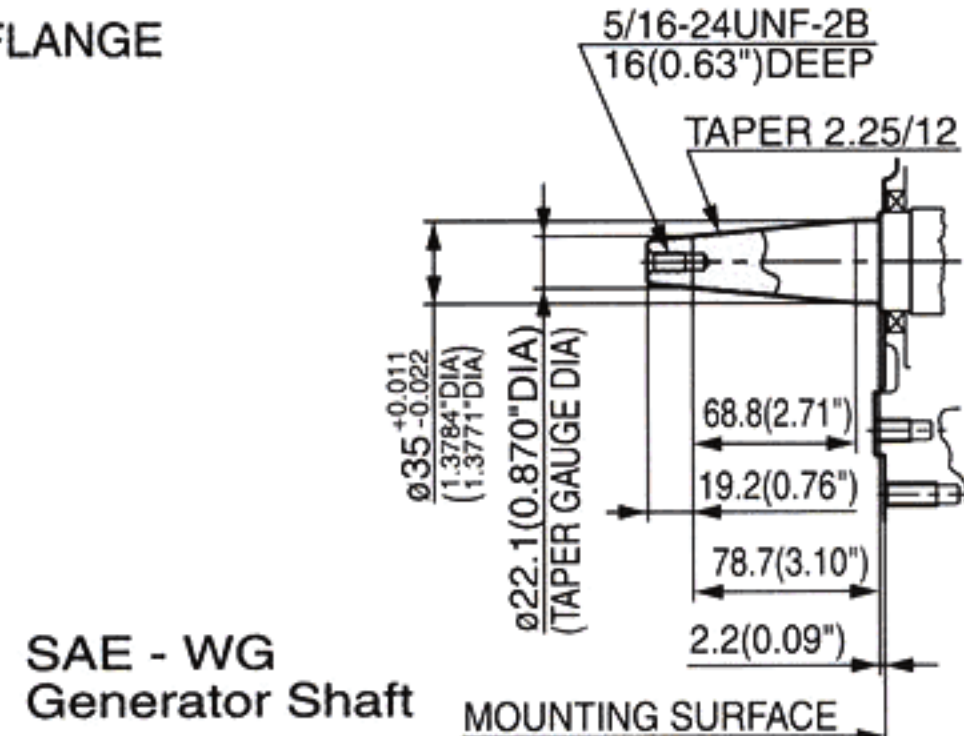
SAE-B FLANGE



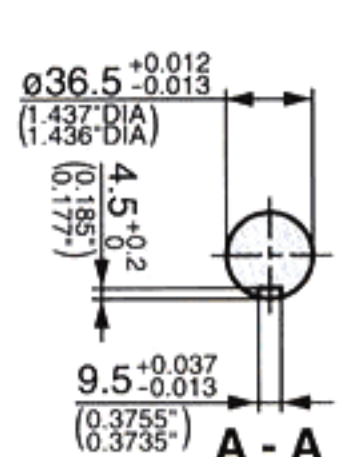
SAE ø1 inch Keyway Shaft



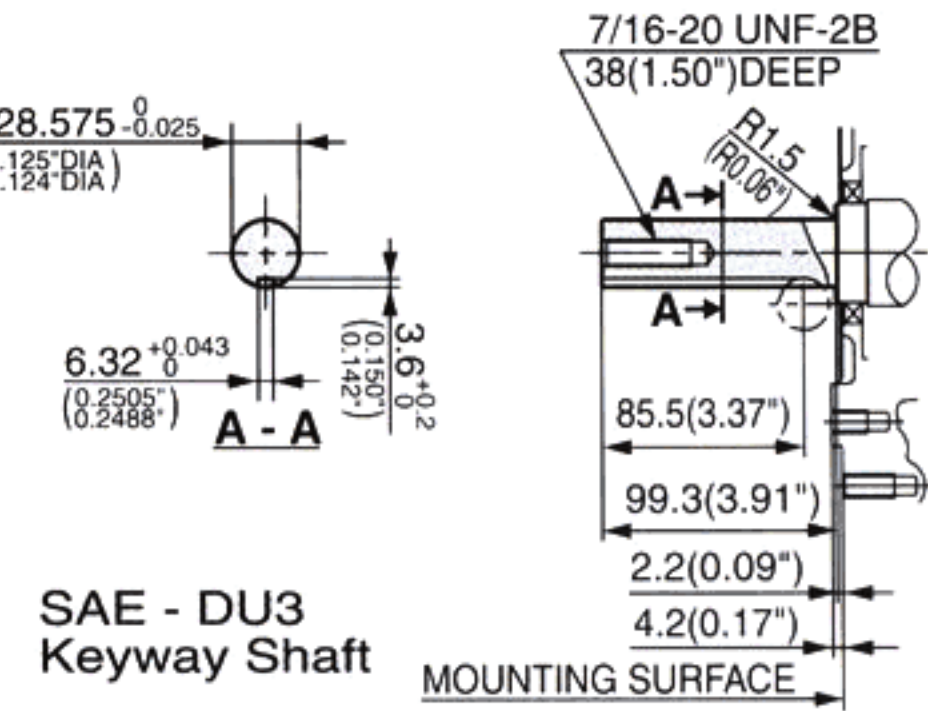
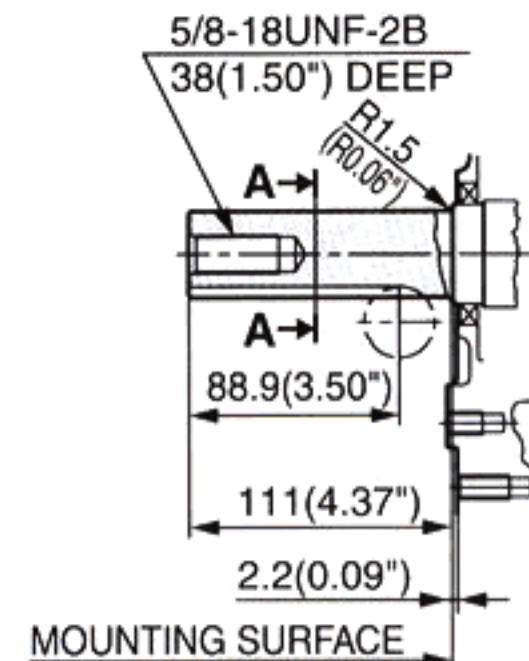
*Muffler as option



SAE - WG Generator Shaft



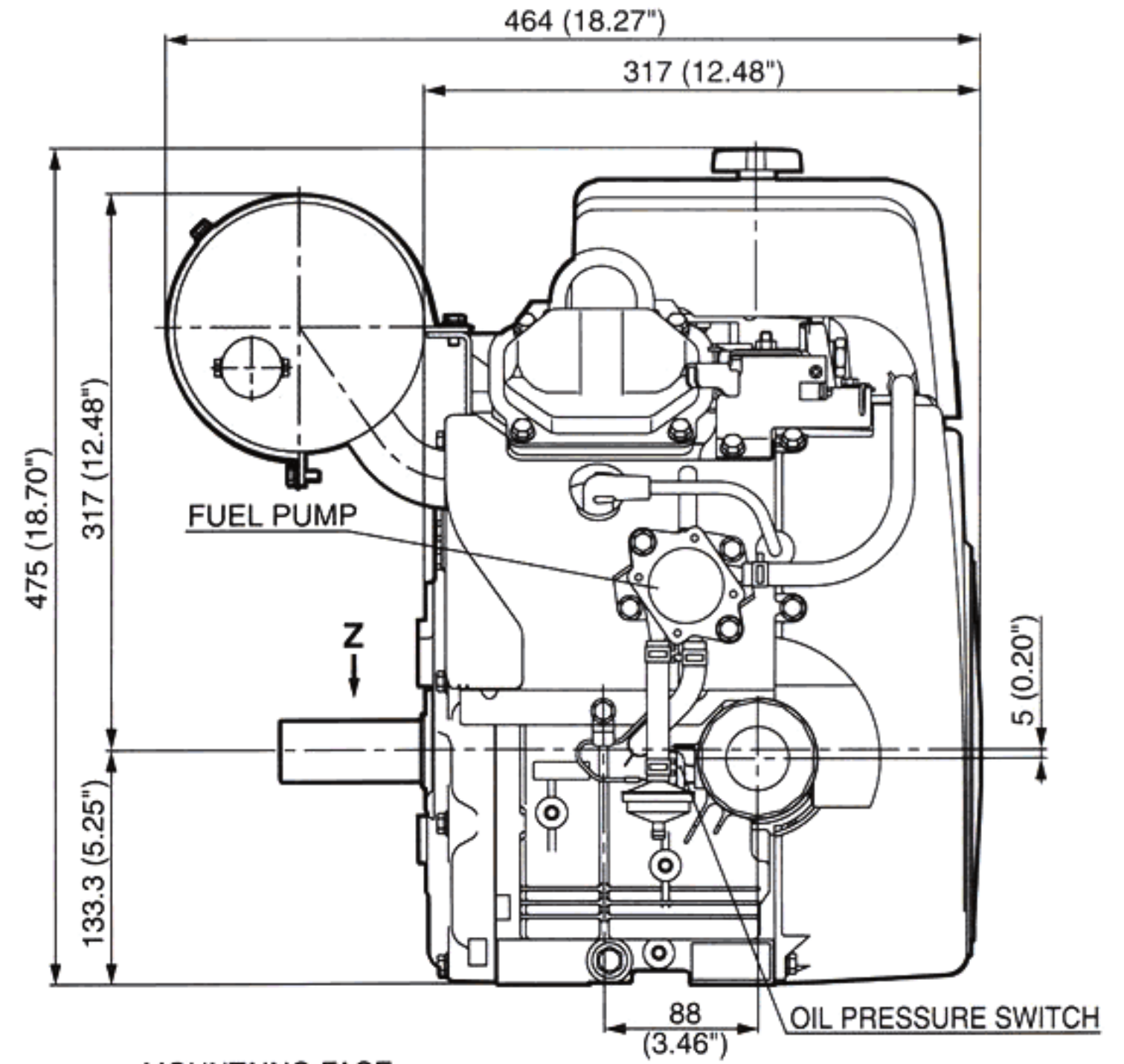
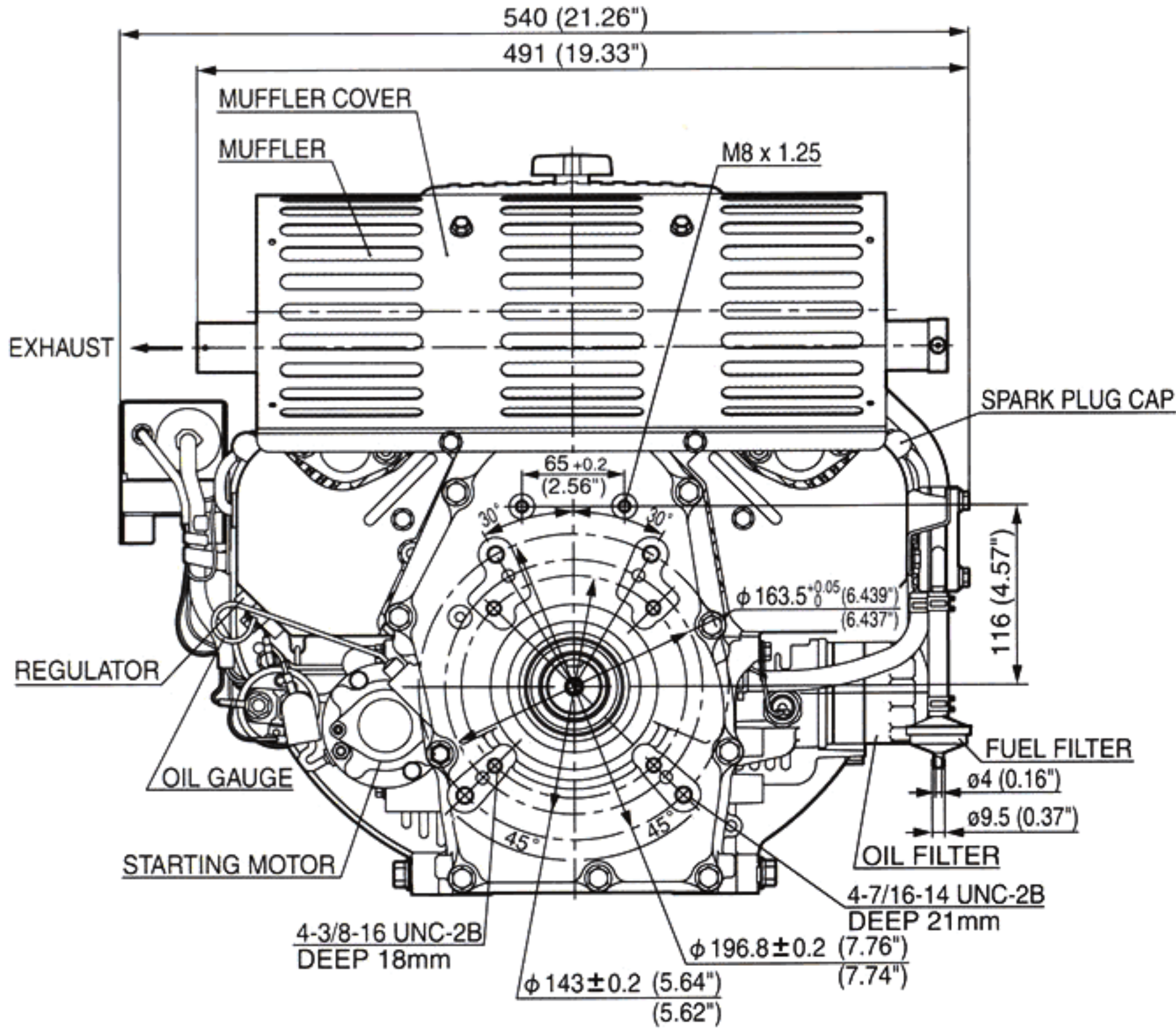
SAE - DU2 Keyway Shaft



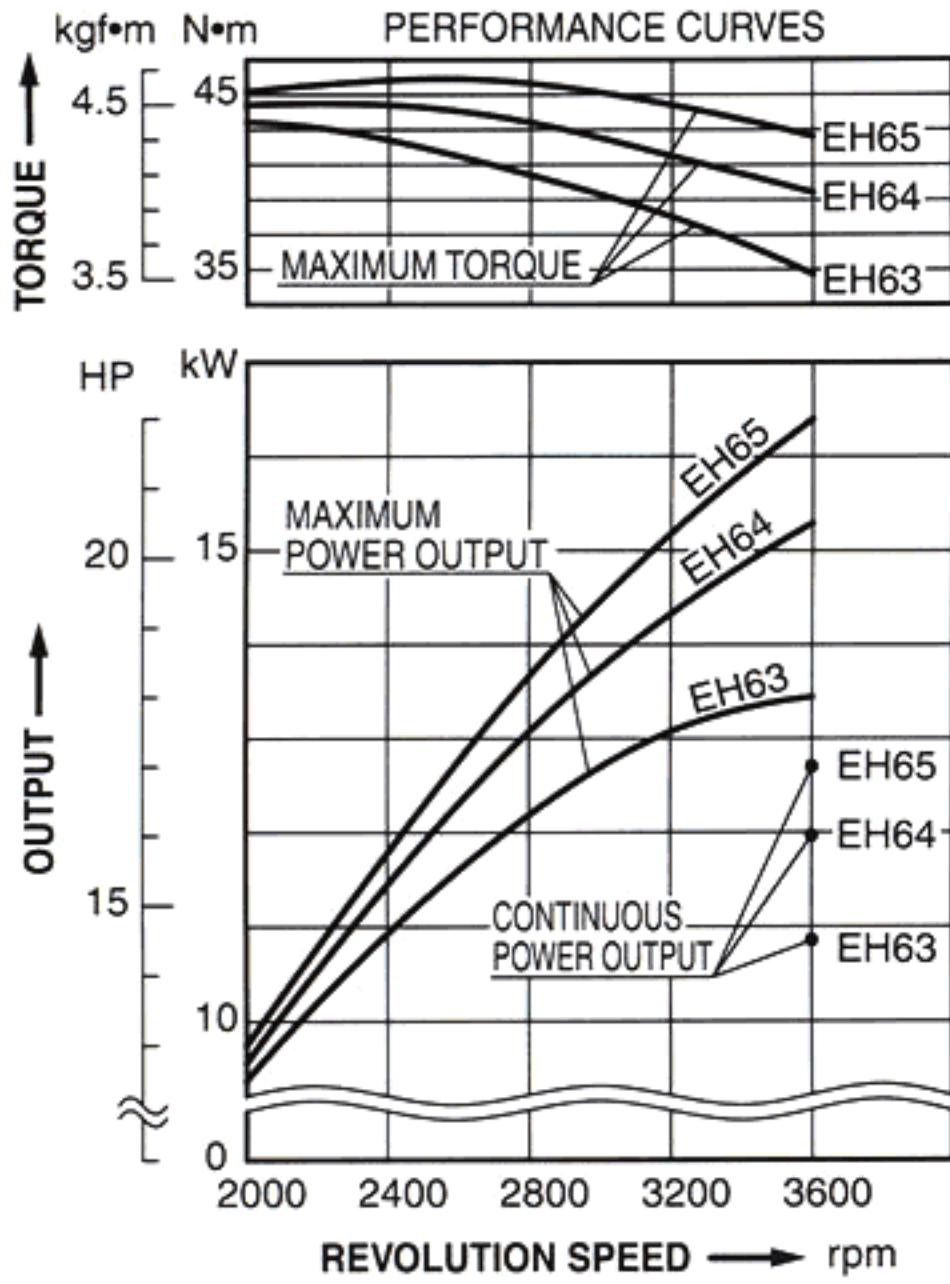
SAE - DU3 Keyway Shaft

SAE ø1 inch Pump Shaft

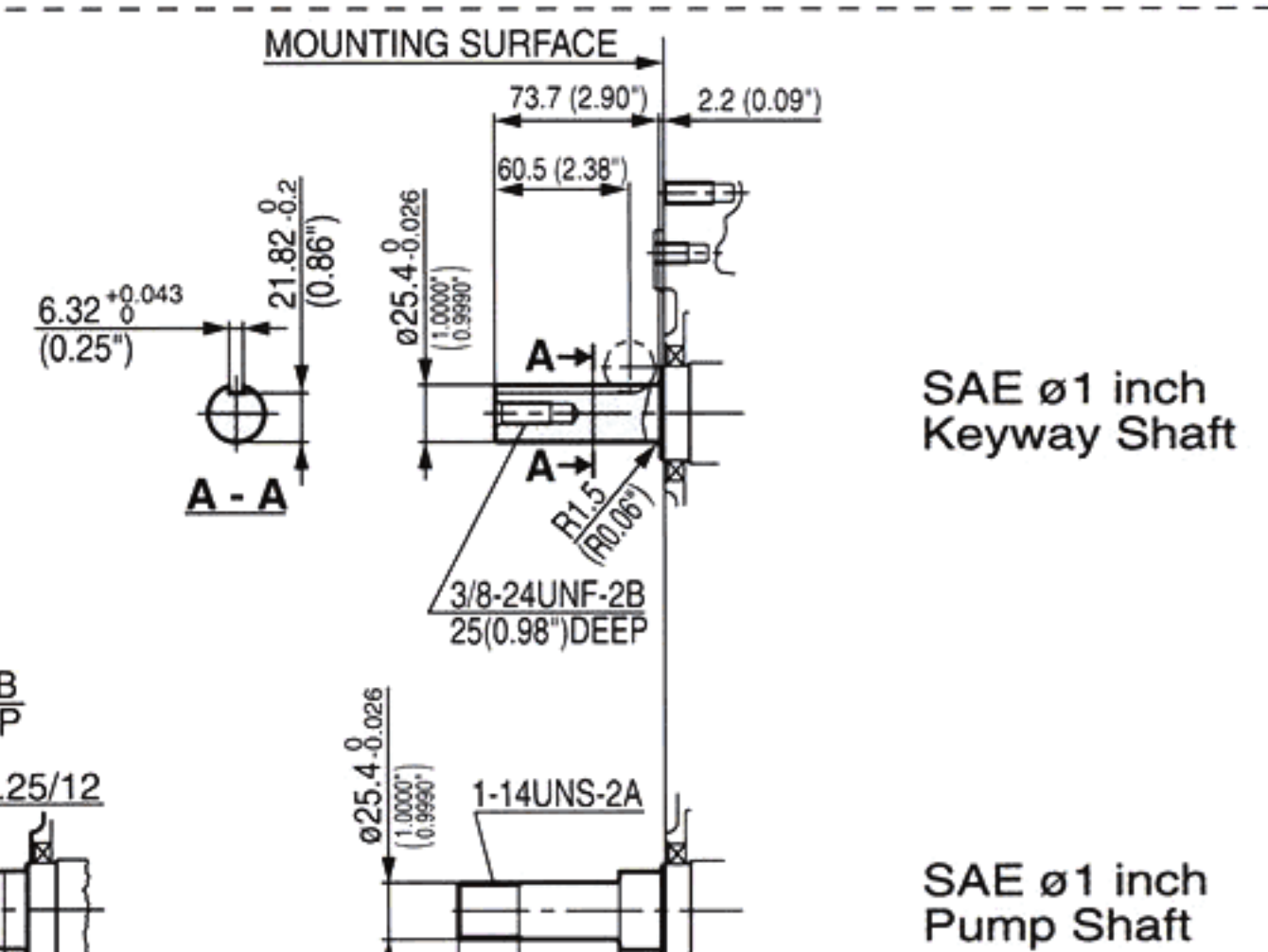
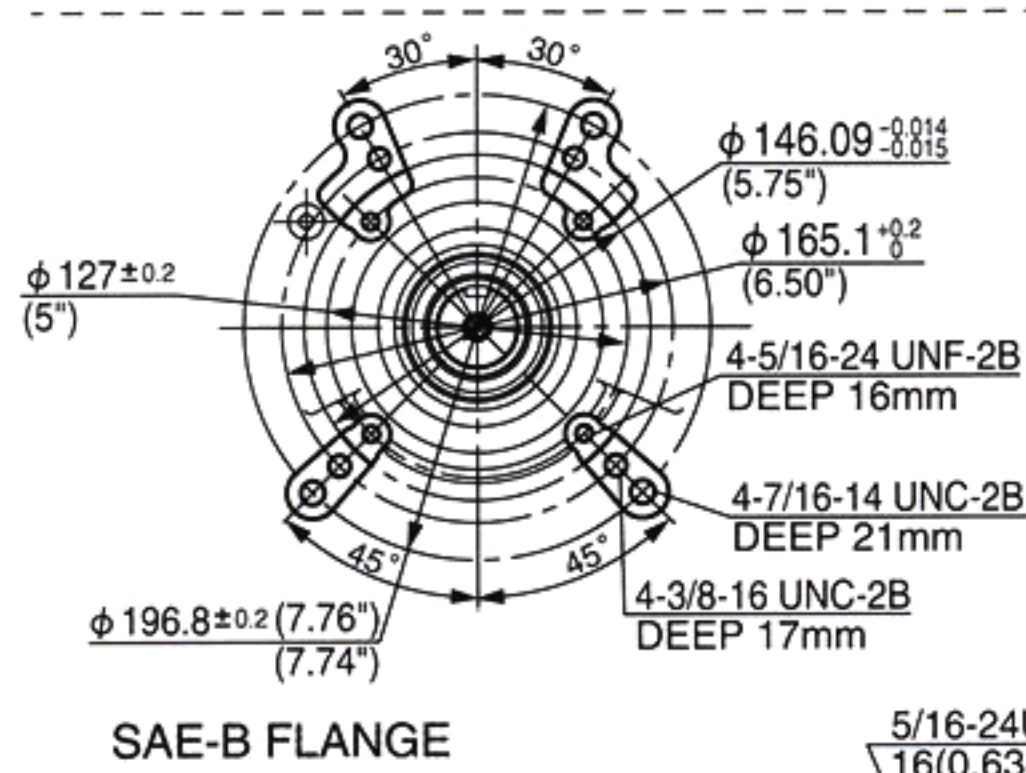
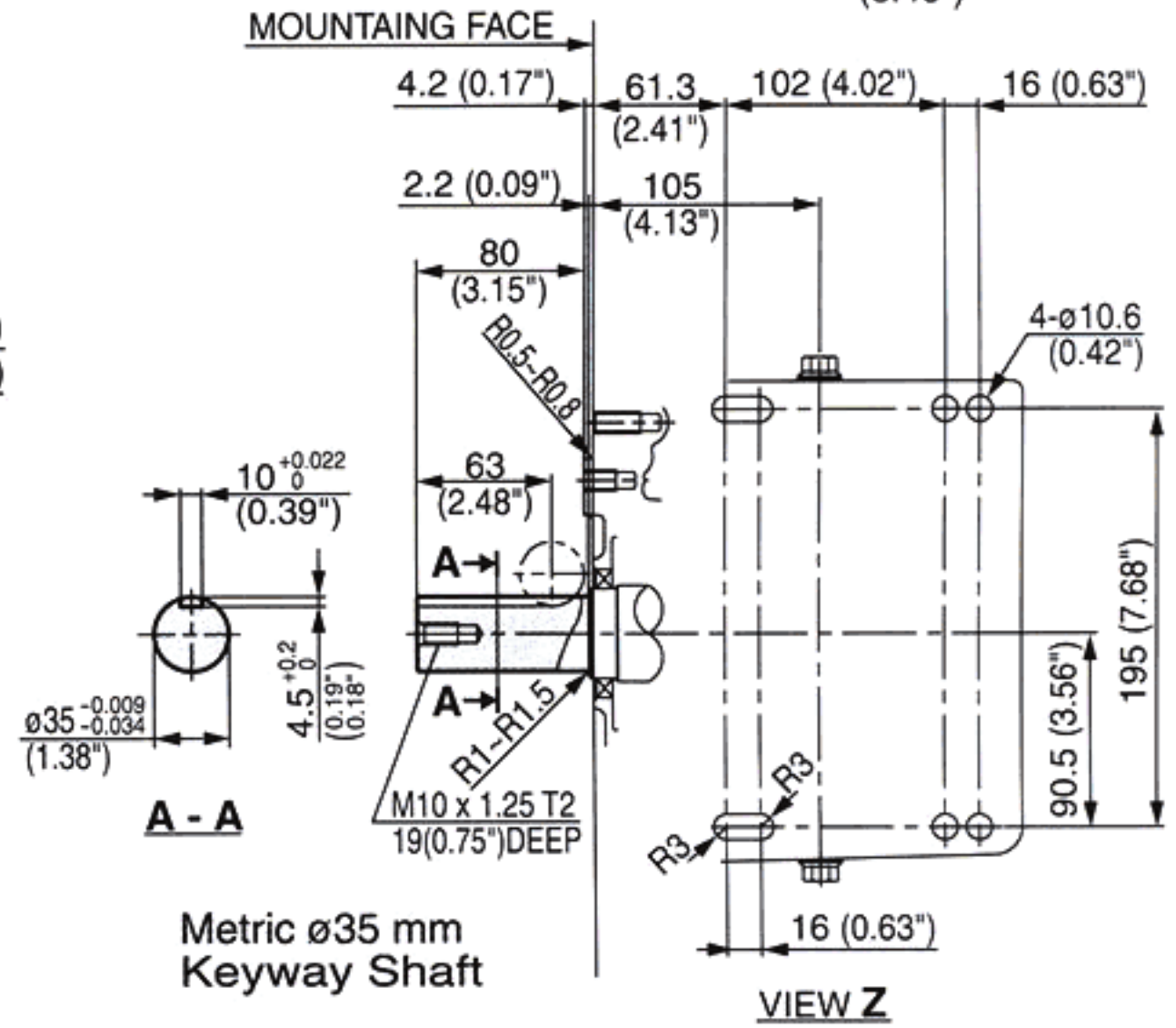
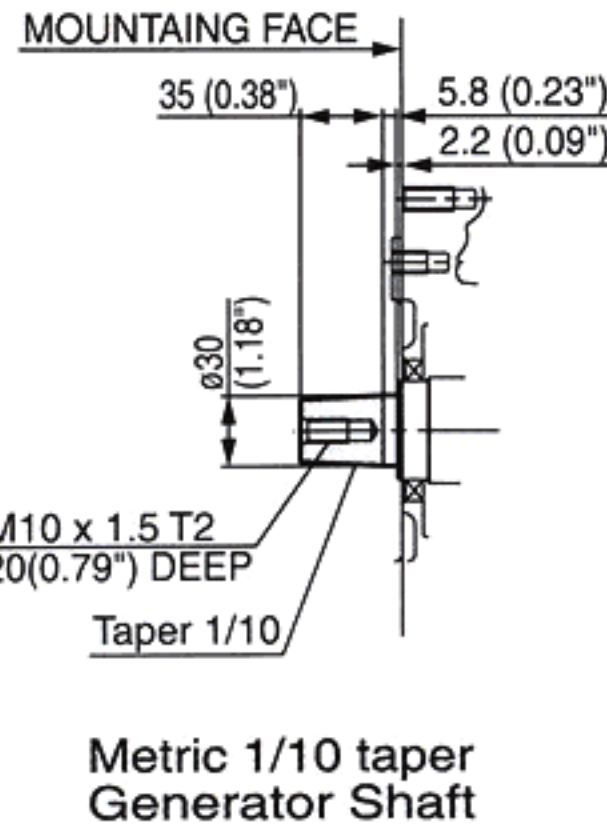
Двигатели EH65DS



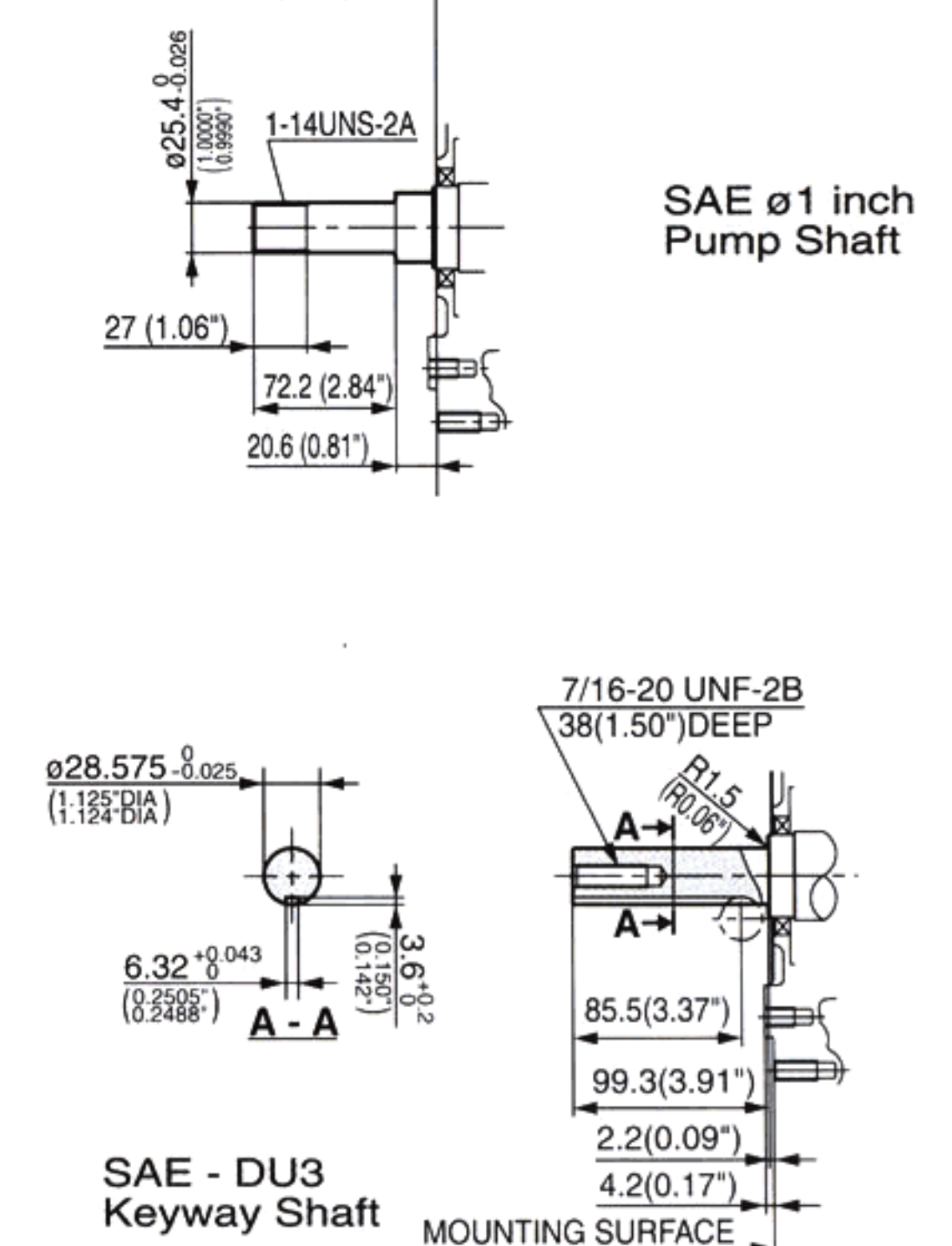
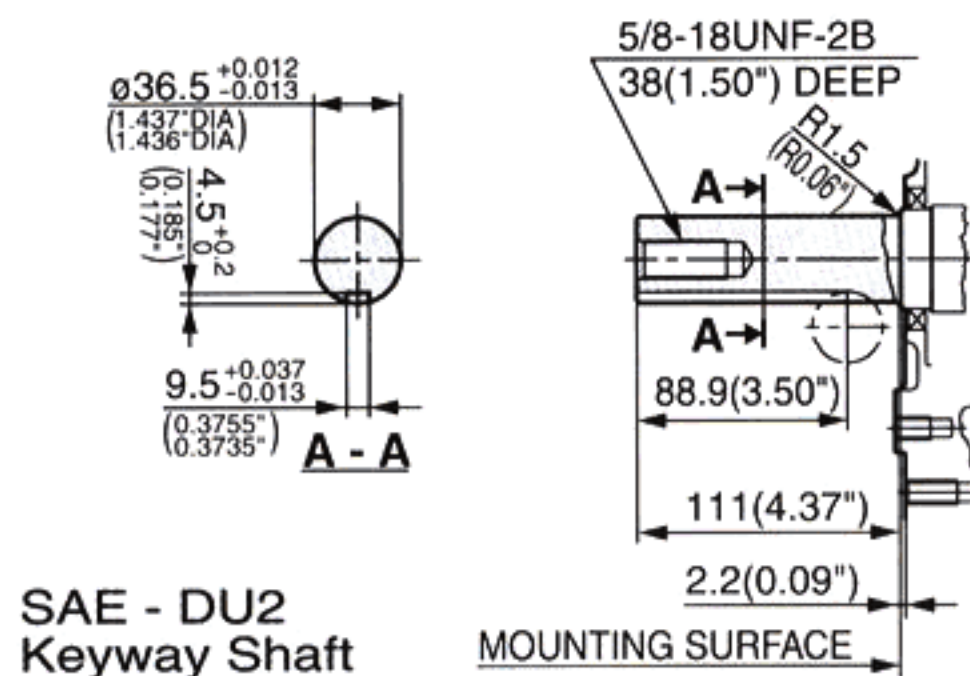
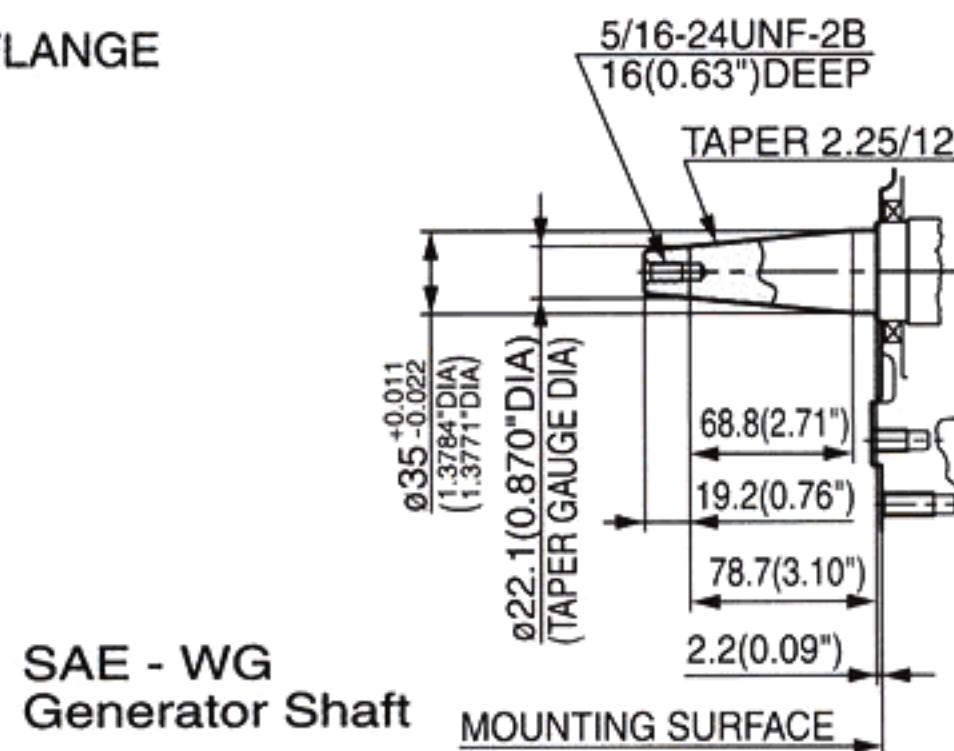
METRIC FLANGE



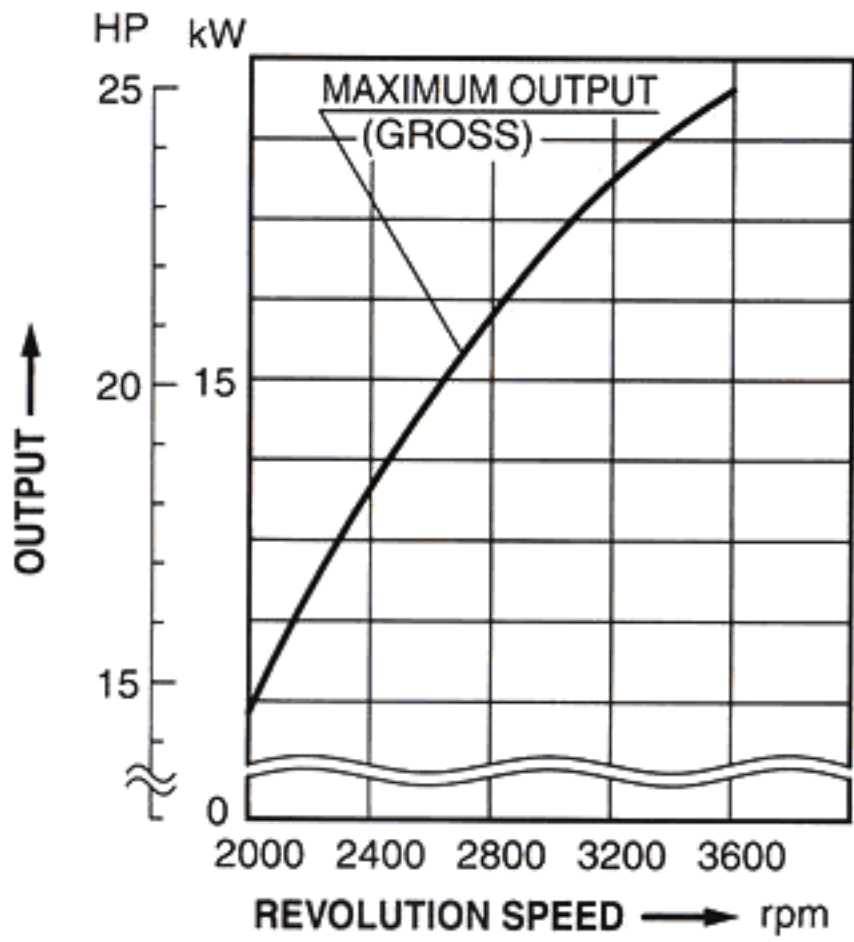
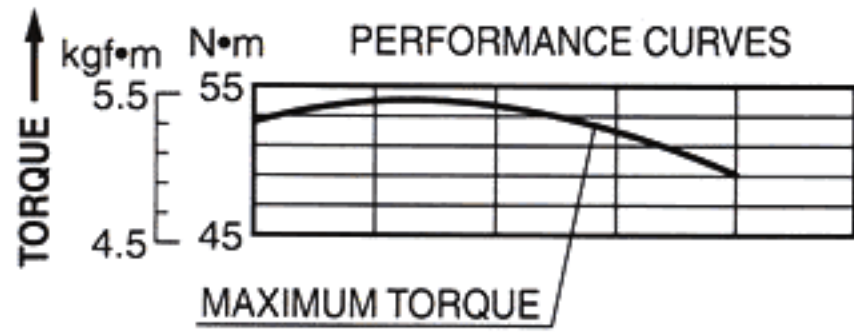
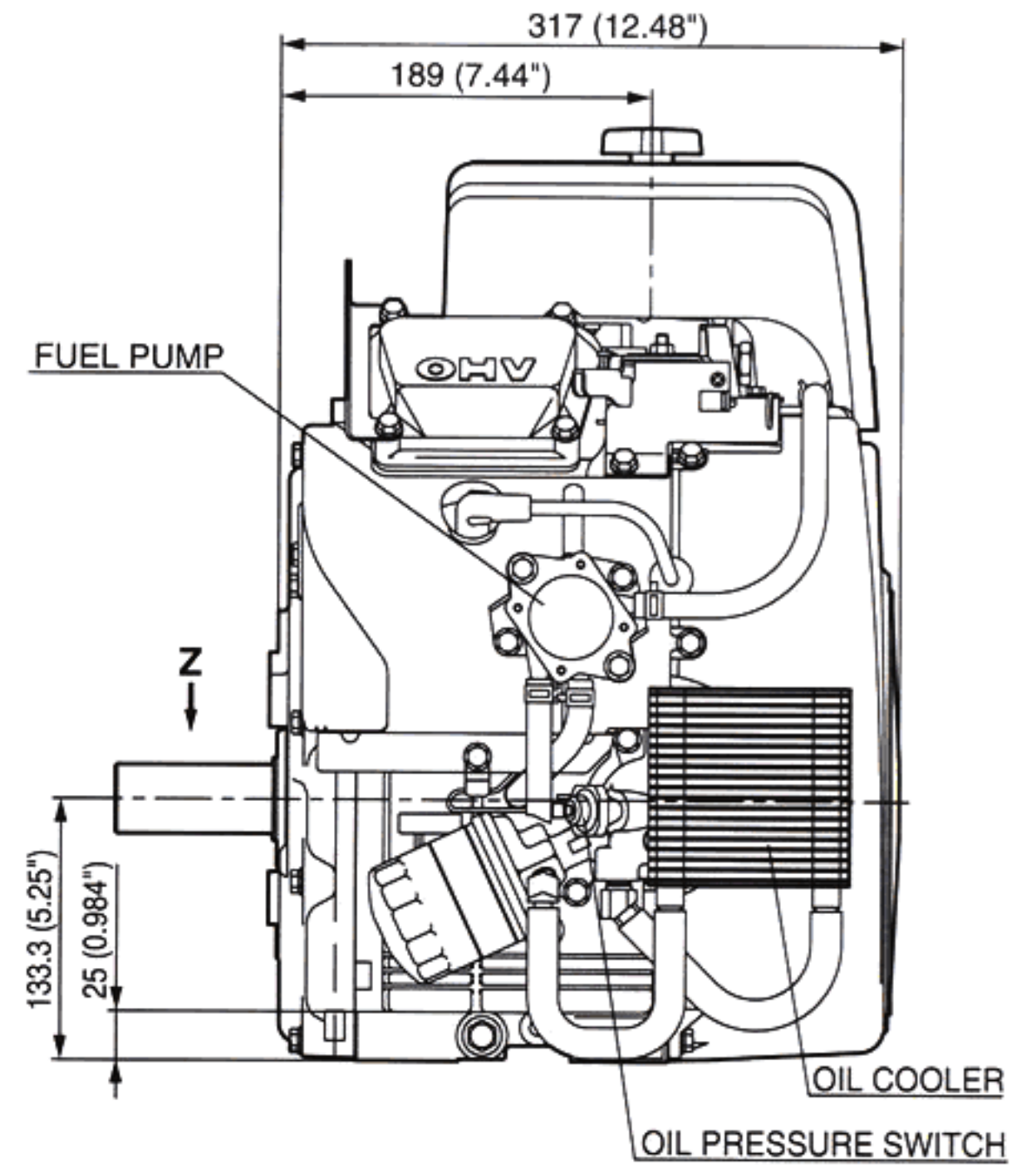
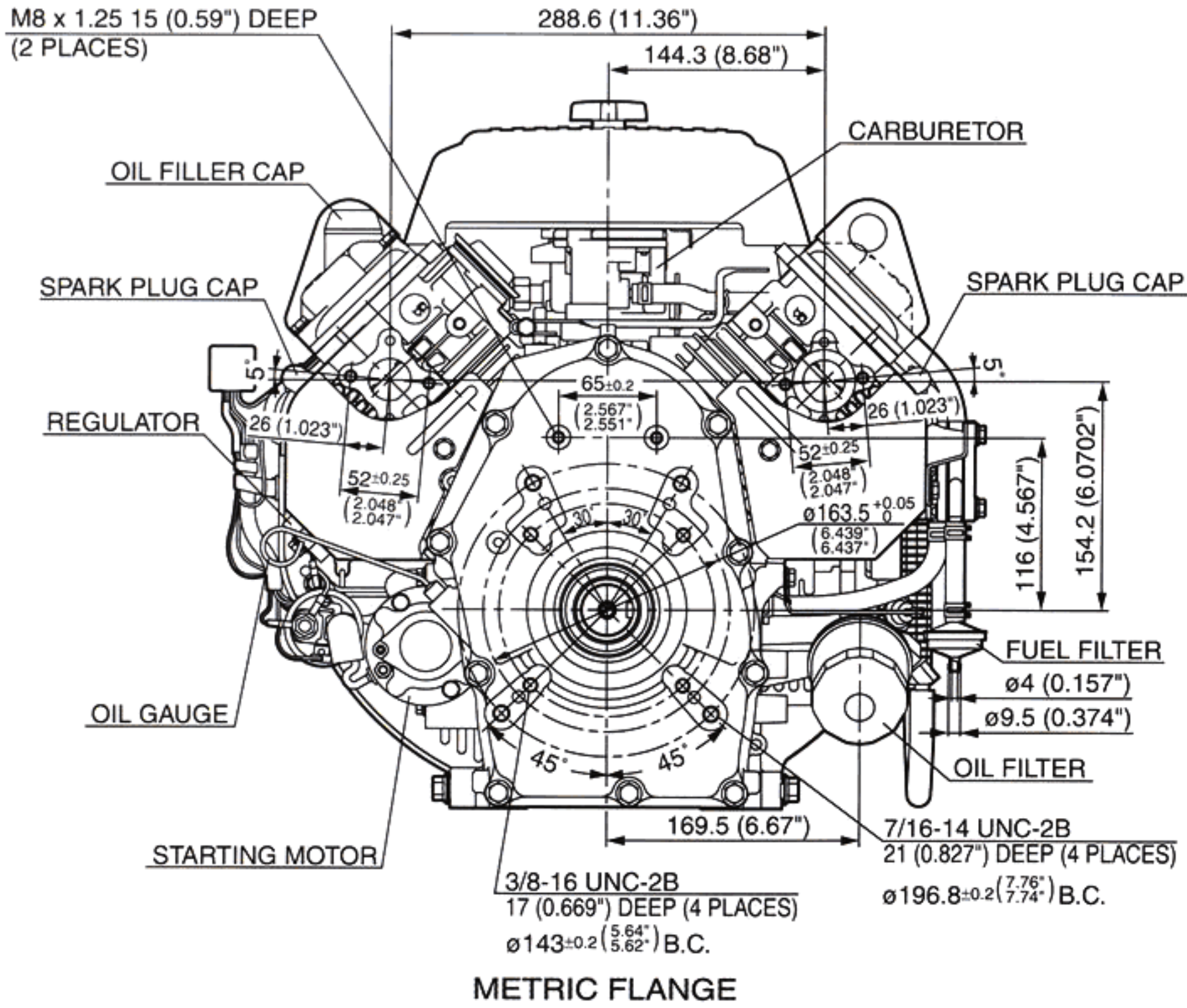
Power curves are corrected to standard sea level atmospheric condition and are developed from test engines equipped with standard air cleaner and muffler.



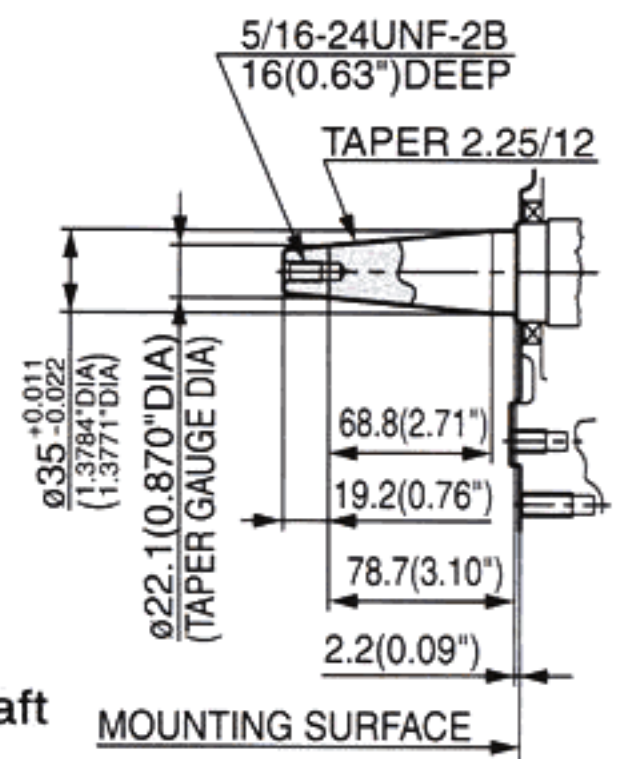
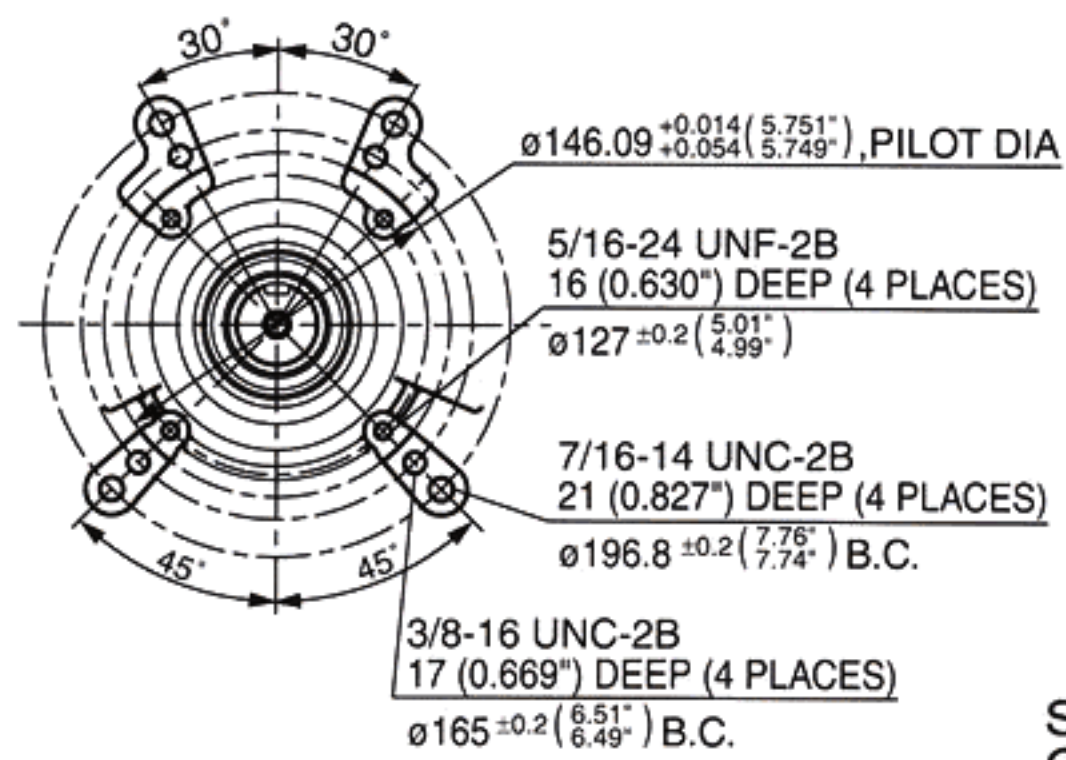
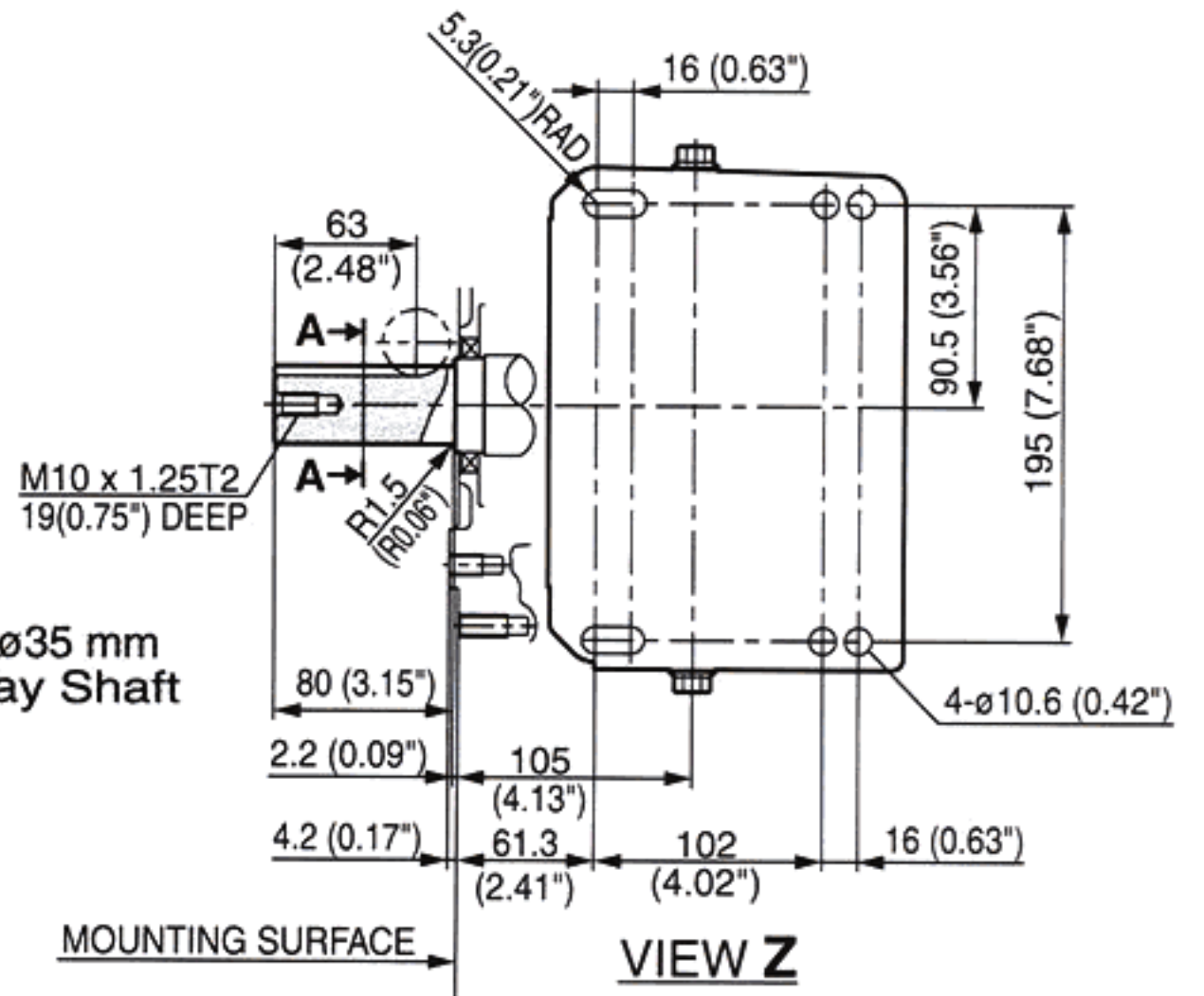
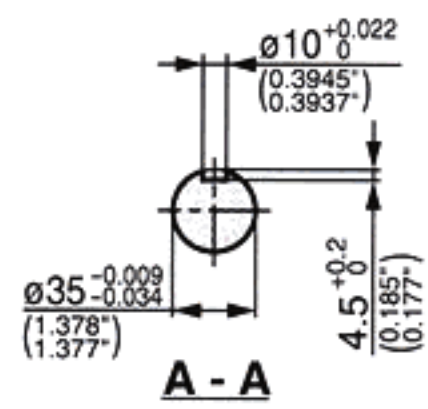
*Muffler as option



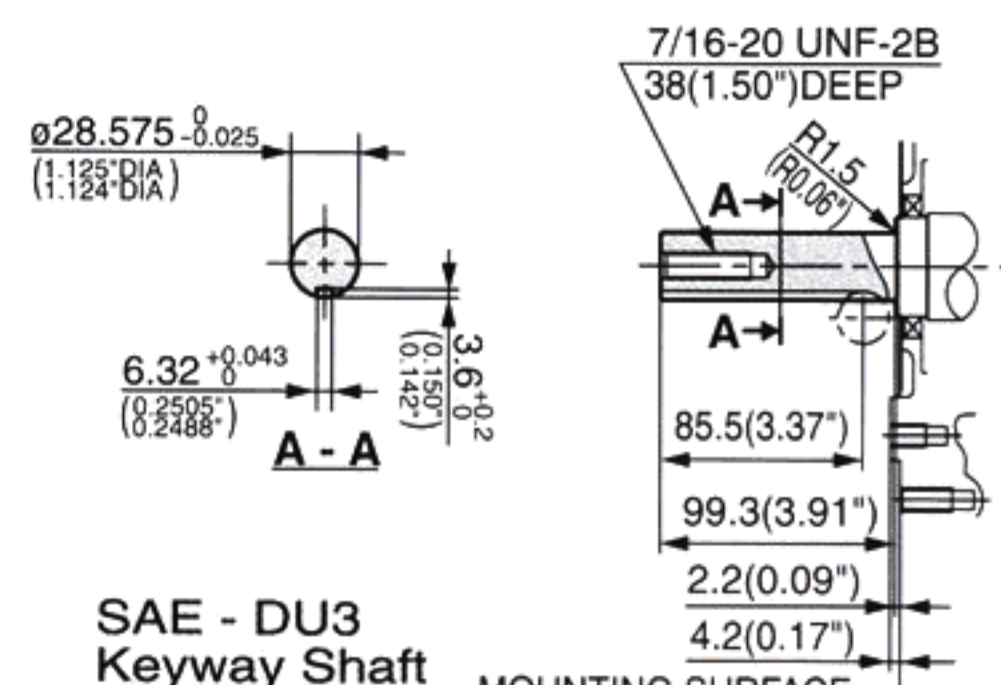
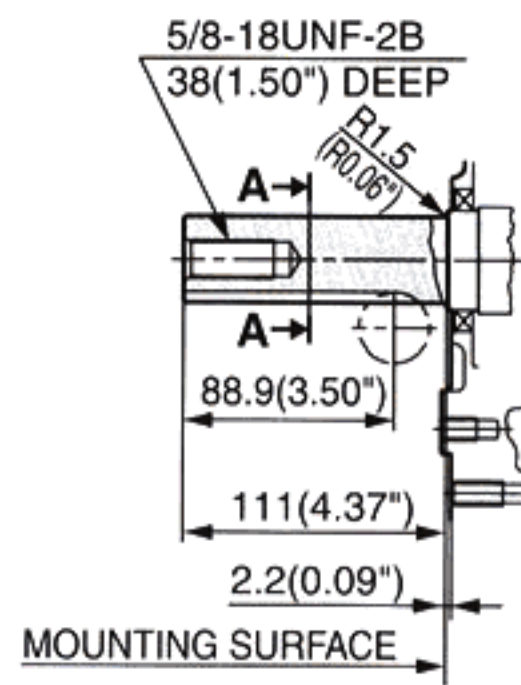
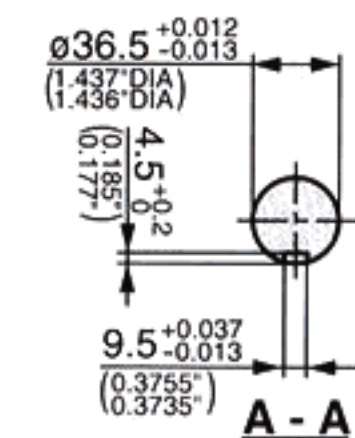
Двигатели EH72DS



Power curves are corrected to standard sea level atmospheric condition and are developed from test engines equipped with standard air cleaner and muffler.

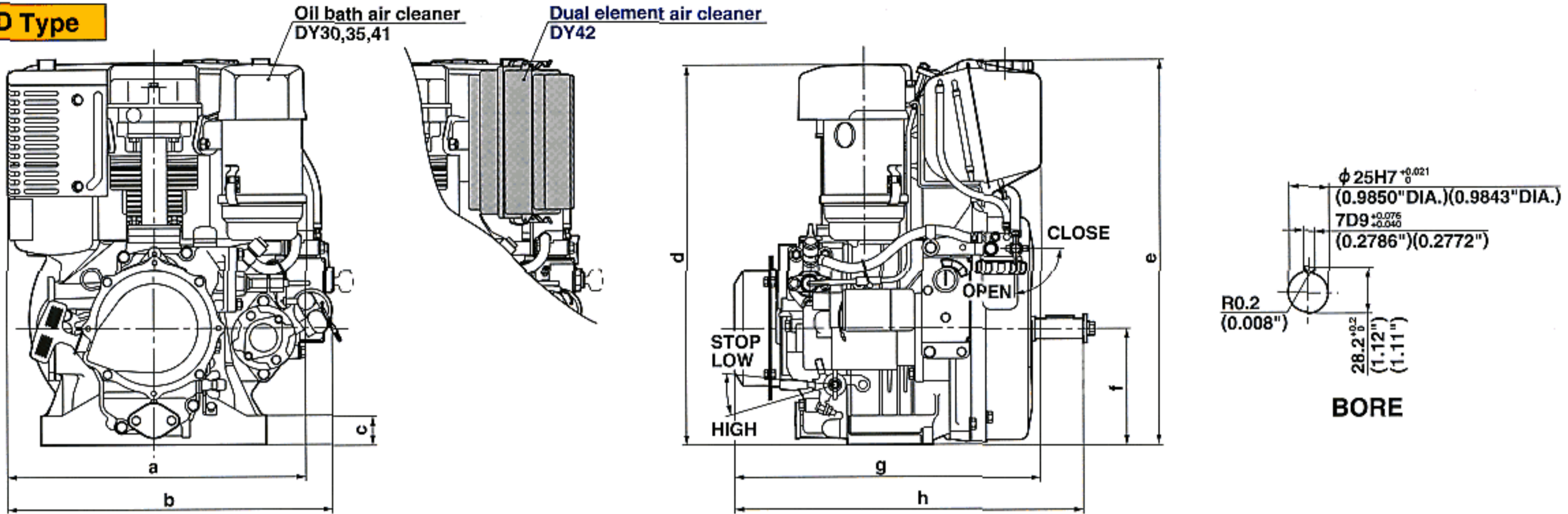


*Muffler as option

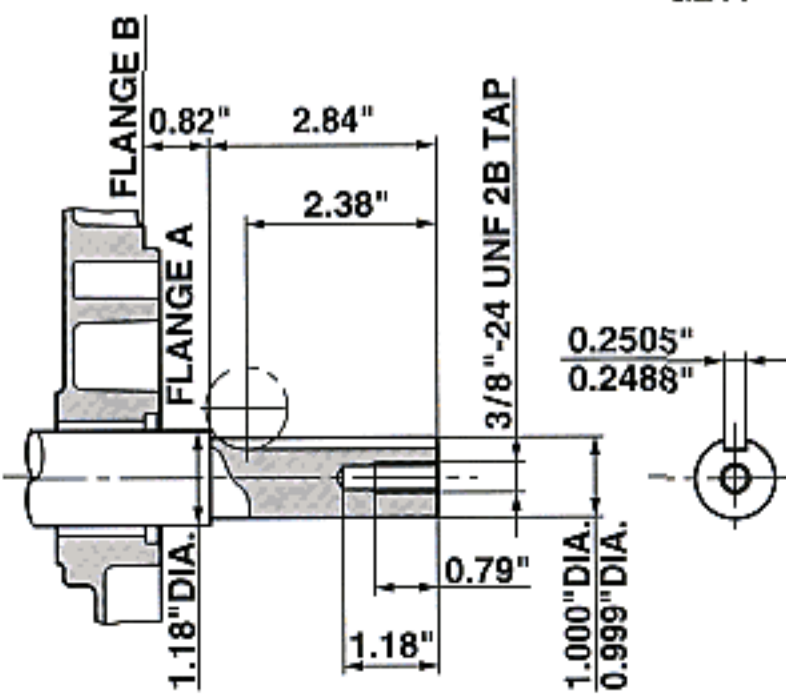
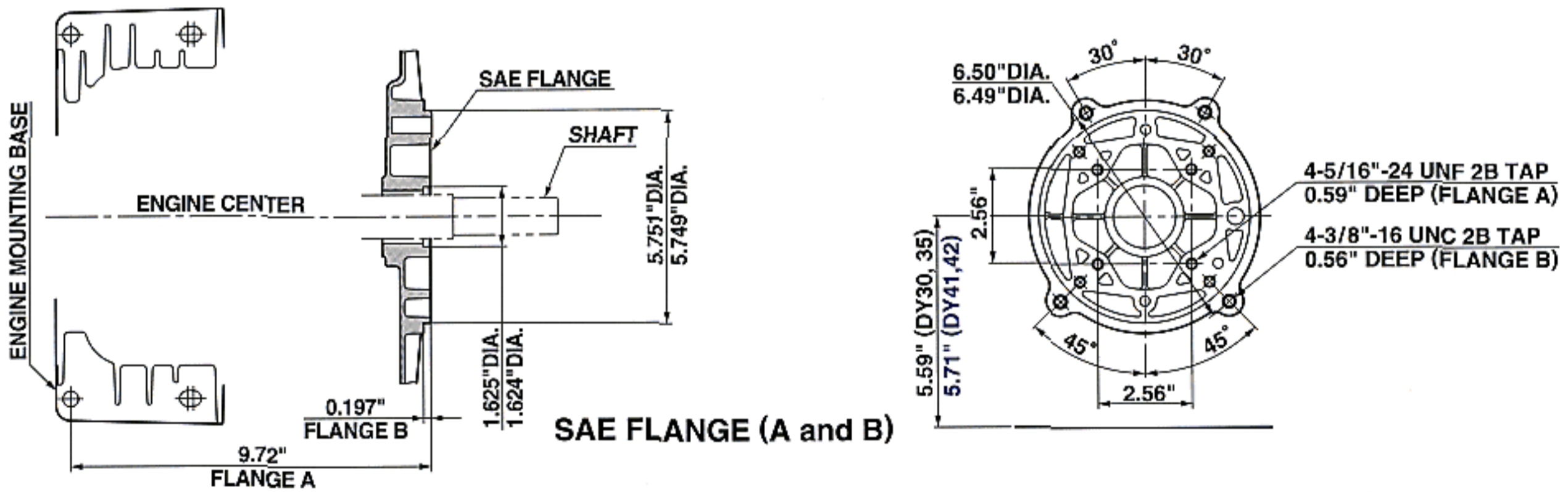
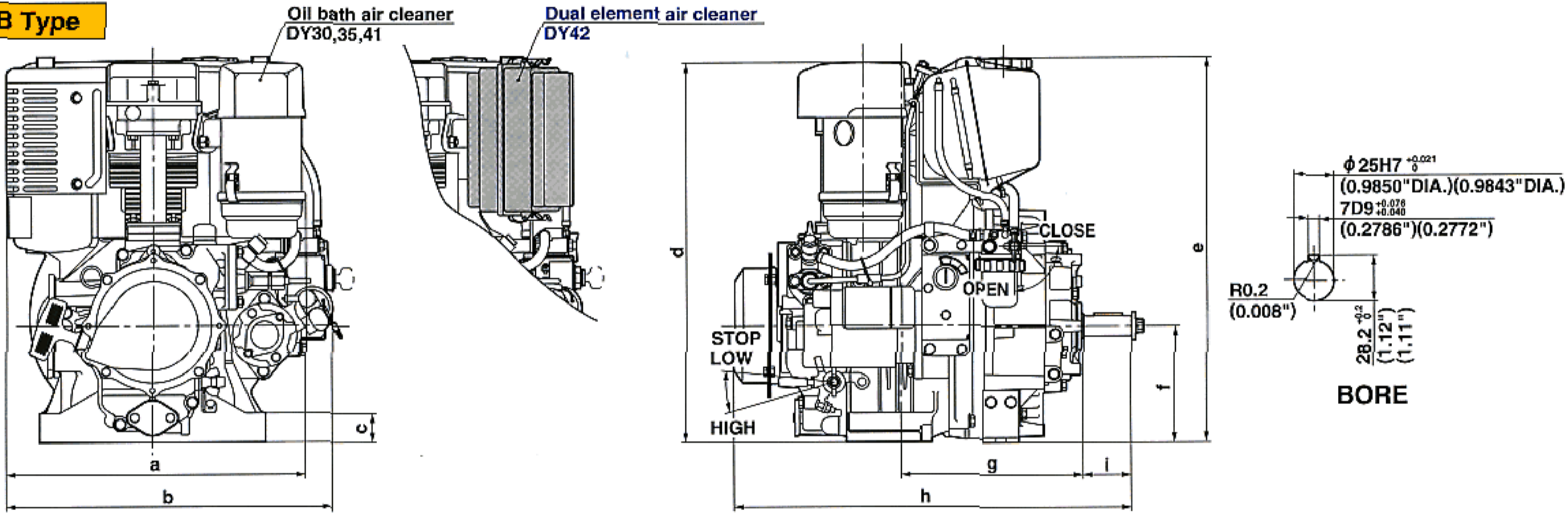


Двигатели DY30D/B, DY35D/B, DY41D/B, DY42D/B

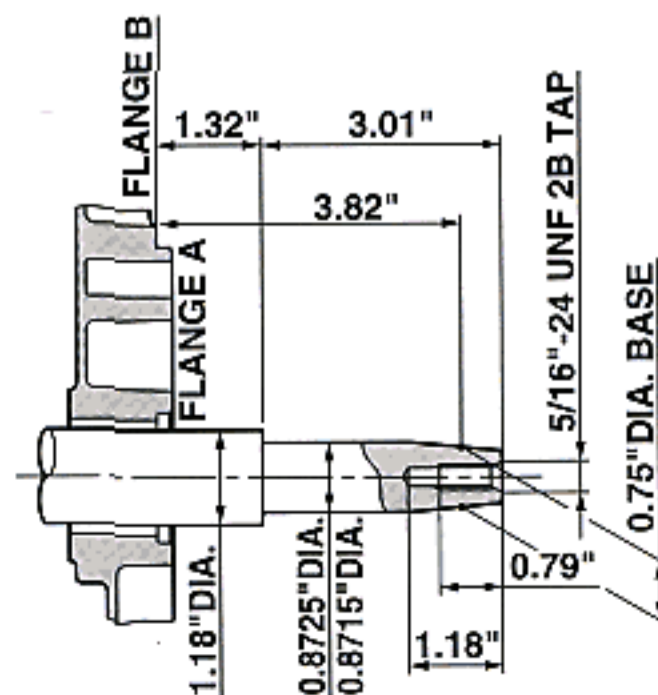
D Type



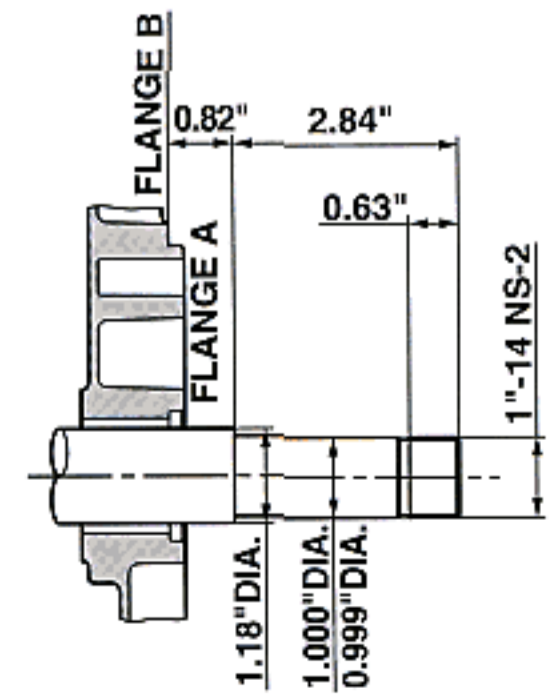
B Type



DU SAE STD. SHAFT



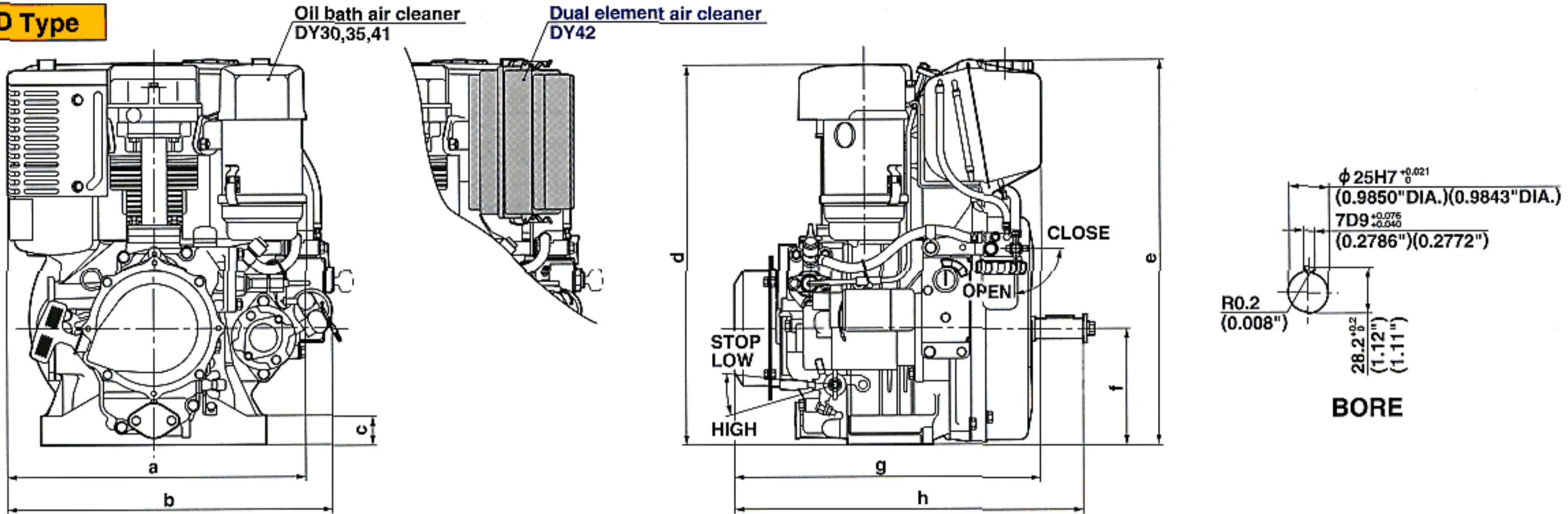
DH SAE TAPER SHAFT



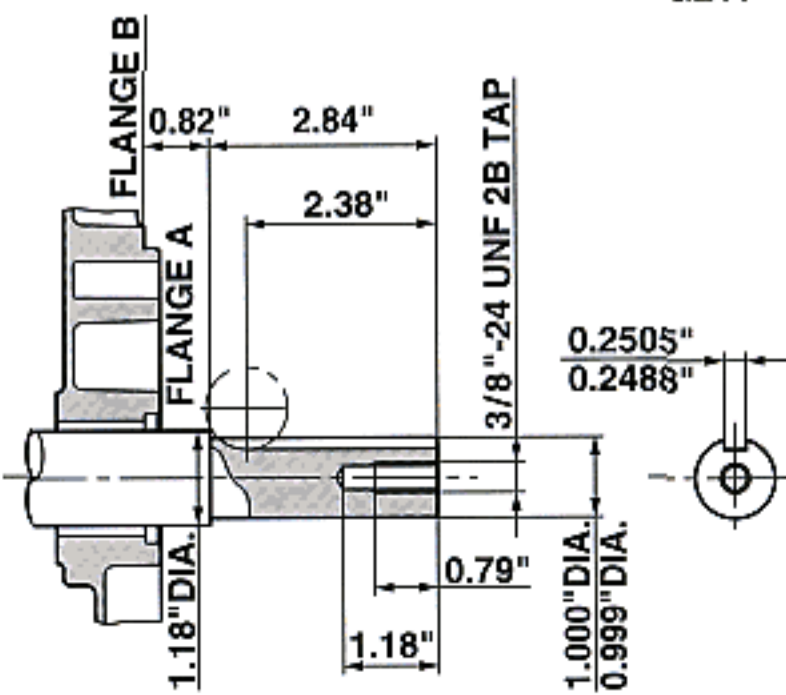
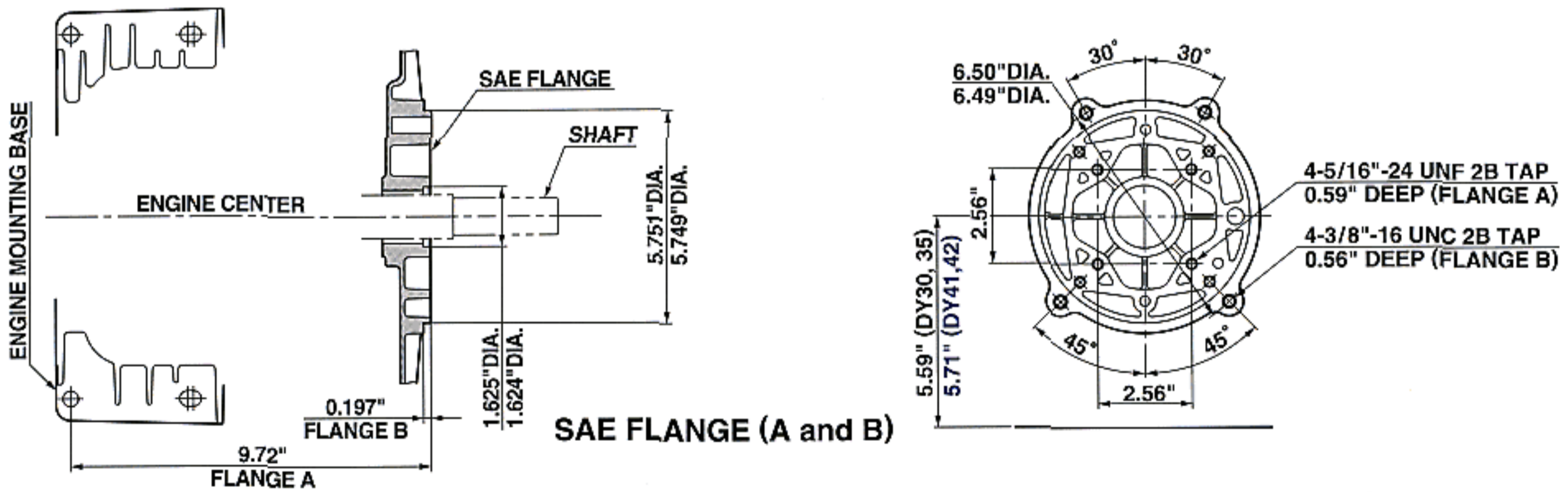
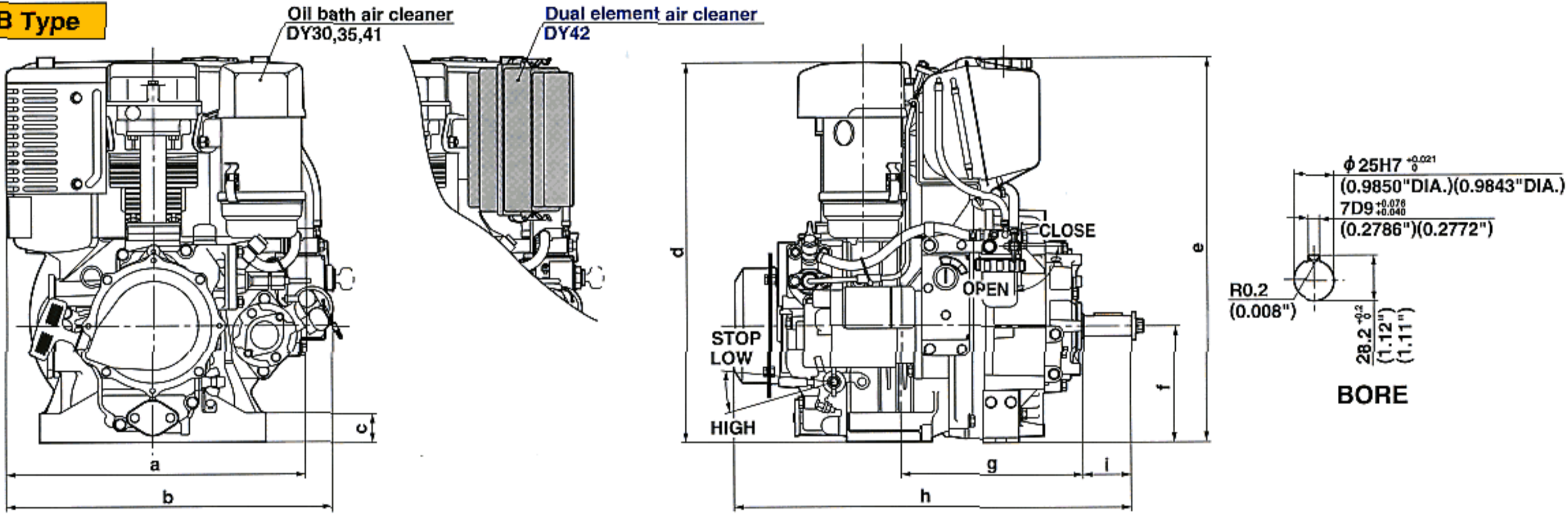
DP SAE PUMP SHAFT

Двигатели DY30D/B, DY35D/B, DY41D/B, DY42D/B

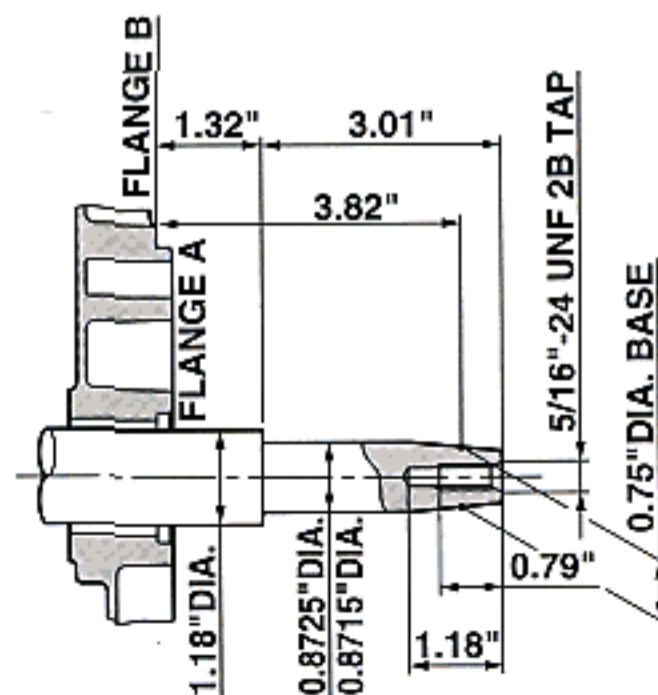
D Type



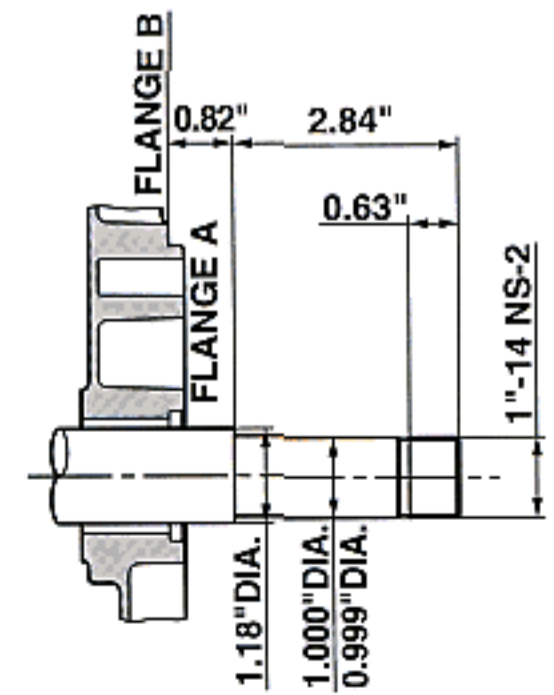
B Type



DU SAE STD. SHAFT



DH SAE TAPER SHAFT



DP SAE PUMP SHAFT